

DURABLE, EFFICIENT CHEMICAL HEATER

Over the side, durable, efficient, 3 element, tubular chemical heater. Available in Steel, 304 Stainless Steel, 316 Stainless Steel, and Titanium. Check solution recommendation chart with your chemical supplier for proper sheath material selection. Three phase. Three phase. 3000-10500 watts, 240-480 volts.



FEATURES

For use in most aqueous alkaline solutions and rinse tanks. Check solution recommendation chart with your chemical supplier for proper sheath material selection.

Heavy wall metal sheaths available in: steel, 304 stainless steel, 316 stainless steel, titanium.

Watt densities up to 40 watts per square inch (6.2 w/cm²) ensure long service life.

Vapor-resistant, flame retardant polypropylene terminal enclosure with 3 ft (.9m) flexible PVC liquid tight conduit.

Temperature and level controls sized to match the heater.

Lower watt densities for highly viscous solutions.

3HS SERIES, THREE ELEMENT STAINLESS STEEL HEATERS					
WATTS	VOLTS	HOT	OVERALL	MODEL	SHIP
		ZONE	LENGTH		
		In./(mm)	In./(mm)		Lbs./(kg)
3000	240	11	17	3HS3217-**	9
	480	(279)	(432)	3HS3417-**	(4.1)
4500	240	17	23	3HS4.5223-**	10
	480	(432)	(584)	3HS4.5423-**	(4.5)
7500	240	21	29	3HS7.5229-**	12
	480	(533)	(737)	3HS7.5429-**	(5.4)
10500	240	26	34	3HS10.5234-**	14
	480	(660)	(864)	3HS10.5434-**	(6.4)

*Three phase standard, single phase available as option. Add "-1" before thermal protector designator.

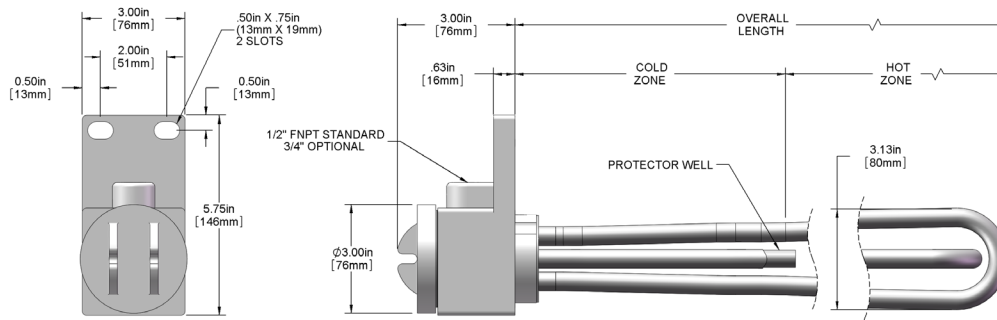
3HS Series Tubular Metal Heater

SPECIFICATIONS

Wattages	3,000 Watts to 10,500 Watts
Voltages	240 Volts to 480 Volts
Options	Special configurations & lengths Longer wire and conduit lengths All metal welded junction box
Safety Features	Grounded construction Thermal protector built in. Replaceable PI protector standard for solutions.

See chart below for options.

DIMENSIONS



MODEL NUMBER BREAKDOWN

3HS	3	3	23		P4	
Series	Wattage	Voltage	Overall Length (in.)	Phase	Type of Protector	Wire & Conduit Length
3HS = 3 element, 316 stainless steel	3 = 3000	1 = 120	17 = 3kW	no designator = three phase(std)	Replaceable Fuse	36" length standard (no designator)
	4.5 = 4500	2 = 240	23 = 4.5kW	-1 = single phase	P1 (std) = solutions up to 180°F	Specify variations from standard Ex: -X84 = 84"
	7.5 = 7500	3 = 380	29 = 7.5kW	M = Metal welded junction box (resettable protector required)	P4 = solutions up to 230°F	
	10.5 = 10500	4 = 480	34 = 10.5kW		P5 = solutions up to 300°F	
		5 = 415			Resettable Fuse	
		6 = 600			P2 = solutions up to 180°F	
		7 = 400			P6 = solutions up to 230°F	
		8 = 208			P7 = solutions up to 300°F	
		9 = 220				
		0 = 200				