

Table of Contents

SmartOne S1 Metal Over The Side Heaters3
SmartOne S13 Triple Metal Over The Side Heaters4
SmartOne S1L Metal Bottom Heaters.....5
SmartOne S13L Triple Metal Bottom Heaters.....6
SmartOne S1T 2” Tubular Screw Plug Heaters7

HX & HXL Fluoropolymer Heaters8
HXF & HXFL Fluoropolymer Heaters.....9
HXO & 3HXO Fluoropolymer Heaters.....10
3HXOL Fluoropolymer Heaters.....11
3HX & 6HX Fluoropolymer Heaters12
9HX Fluoropolymer Heaters.....13
HXRL Fluoropolymer Heaters14
HXSL Fluoropolymer Heaters16
HXOL Fluoropolymer Heaters.....17

QM Quartz Heaters.....19
3QM Triple Quartz Heater Guards21

P, F, S, & T Metal Over The Side Heaters22
3P, 3F, 3S & 3T Metal Over The Side Heaters23
D Metal Over The Side Heaters24
D3 Metal Over The Side Heaters25

L Metal L-Shaped Heaters26
3L Metal L-Shaped Heaters27
3LV Metal L-Shaped Heaters.....28
DL Metal L-Shaped Heaters.....29
D3L Metal L-Shaped Heaters.....30
Deep Tank Metal & Triple Metal Heaters31

3HS, 6HS & 9HS Stainless Steel Heaters32
DAS Phospate & V Varipower Heaters33
B Small Tank Heaters34
Tytan Heaters35

T & 2T Screw Plug Heaters.....36
5T, T2T & T5T Screw Plug Heaters37
VST, VXT, TB & HXT Screw Plug Heaters38

3FLX & 6FLX Flanged Fluoropolymer Heaters	39
3FLS & 5FLS Flanged Metal Heaters	40
6FLS Flanged Metal Heaters	41
R Series Quartz Infrared Heating Elements	42
Grid Coils	44
Serpentine Coils.....	47
U Coils	48
X Fluoropolymer Heat Exchangers	49
Thermax Heat Exchangers	50
Brass Solenoid Valves	51
ST Strainers, IX Insulators & VB Vacuum Breakers.....	52
NR Thermostats and Combination Controls.....	53
DE Digital Thermostats and Combination Controls.....	54
DQ Digital Thermostats and Combination Controls	55
DSL Digital Thermostats and Combination Controls.....	56
DLC Digital Thermostats and Combination Controls.....	57
LC & ESP Liquid Level Controls	58
DTS Series, AHM Series & W Series.....	59
SD Series Conduit & Fittings.....	60
Appendix.....	61

SmartOne S1 Metal Over The Side Heaters

S1 SERIES, METAL OVER THE SIDE HEATERS (Single Phase Standard)							
Model Number	Length	Width	Height	Dim. Wt. Domestic Air	Dim. Wt. International Air & Ground	Actual Weight LBS./(kg)	Box Girth
S1*1111 S1*1211	20	9	10	11	13	7 (3.2)	58
S1*2117 S1*2217	33	9	6	11	13	10 (4.5)	63
S1*3223	33	9	6	11	11	11 (5)	63
S1*4229	45	9	6	13	13	13 (5.9)	75
S1*5235	45	9	6	15	15	15 (6.8)	75
S1*6241	48	13	12	17	17	17 (7.7)	98
S1*1.6417	33	9	6	11	13	10 (4.5)	63
S1*2.4423	33	9	6	11	13	11 (5)	63
S1*3.2429	45	9	6	15	18	13 (5.9)	75
S1*4435	45	9	6	15	18	15 (6.8)	75
S1*4.8441	48	13	12	46	54	17 (7.7)	98
S1*5.6447	55	13	12	52	62	23 (10.4)	105

*******If shipment contains multiple cartons over 130" in girth or a combined actual weight over 200 lbs., LTL freight is recommended. Maximum girth for FedEx International small package shipments is 130".**

SmartOne S13 Triple Metal Over The Side Heaters

S13 SERIES, TRIPLE METAL OVER THE SIDE HEATERS (Three Phase Standard)							
Model Number	Length	Width	Height	Dim. Wt. Domestic Air	Dim. Wt. International Air & Ground	Actual Weight LBS./(kg)	Box Girth
S13*3211	21	17	13	28	28	21 (9.5)	81
S13*6217	33	13	12	30	38	30 (13.6)	83
S13*9223	33	13	12	35	35	33 (15)	83
S13*12229	44	13	12	39	50	39 (17.7)	94
S13*15235	44	13	12	45	45	45 (20.4)	94
S13*18241	48	13	12	51	51	51 (23.1)	98
S13*2.4411	21	17	13	28	28	21 (9.5)	81
S13*4.8417	33	13	12	30	38	30 (13.6)	83
S13*7.2423	33	13	12	35	35	33 (15)	83
S13*9.6429	44	13	12	39	50	39 (17.7)	94
S13*12435	44	13	12	45	45	45 (20.4)	94
S13*14.4441	48	13	12	51	51	51 (23.1)	98
S13*16.8447	55	13	12	70	70	70 (31.8)	105

*******If shipment contains multiple cartons over 130" in girth or a combined actual weight over 200 lbs., LTL freight is recommended. Maximum girth for FedEx International small package shipments is 130".**

SmartOne S1L Metal Bottom Heaters

S1L SERIES, METAL BOTTOM HEATERS (Single Phase Standard)									
Model Number	Length	Width	Height	Dim. Wt. Domestic Air	Dim. Wt. International Air & Ground	Actual Weight LBS./(kg)	Shipping Weight Ground	Add'l Shipping Charges	Box Girth
S1L*1113-R*-**	24	12	21	37	44	10 (4.5)	32		90
S1L*2117-R*-** S1L*2217-R*-**	33	14	24	67	80	11 (5)	58		109
S1L*3223-R*-**	42	12	30	92	109	12 (5.4)	78		126
S1L*4229-R*-**	42	12	30	92	109	13 (5.9)	78		126
S1L*5235-R*-**	48	14	44	179	213	14 (6.4)	153	\$50	164 *****
S1L*6241-R*-**	55	14	55	256	305	15 (6.8)	219	Too Large for UPS	193 *****
S1L*1.6417-R*-**	33	14	24	67	80	11 (5)	58		109
S1L*2.4423-R*-**	42	12	30	92	109	12 (5.4)	78		126
S1L*3.2429-R*-**	42	12	30	92	109	13 (5.9)	78		126
S1L*4435-R*-**	48	14	44	179	213	14 (6.4)	153	\$50	164 *****
S1L*4.8441-R*-**	55	14	55	256	305	15 (6.8)	219	Too Large for UPS	193 *****
S1L*5.6447-R*-**	62	14	55	288	344	18 (8.2)	247	Too Large for UPS	207 *****

*****If shipment contains multiple cartons over 130" in girth or a combined actual weight over 200 lbs., LTL freight is recommended. Maximum girth for FedEx International small package shipments is 130".

TOO LARGE FOR UPS
L-SHAPE BOX

SmartOne S13L Triple Metal Bottom Heaters

S13L SERIES, TRIPLE METAL BOTTOM HEATERS (Three Phase Standard)									
Model Number	Length	Width	Height	Dim. Wt. Domestic Air	Dim. Wt. International Air & Ground	Actual Weight LBS./(kg)	Shipping Weight Ground	Add'l Shipping Charges	Box Girth
S13L*3213-R*-**	24	12	21	37	44	30 (13.6)	30		90
S13L*6217-R*-**	44	14	24	90	107	33 (15)	77		120
S13L*9223-R*-**	48	14	30	122	146	36 (16.3)	104	\$50	136 *****
S13L*12229-R*-**	44	14	44	164	195	39 (17.7)	140	\$50	160 *****
S13L*15235-R*-**	48	14	44	179	213	42 (19)	153	\$50	164 *****
S13L*18241-R*-**	55	14	55	256	305	45 (20.4)	219	Too large for UPS	193 *****
S13L*2.4413-R*-**	24	12	21	37	44	30 (13.6)	32		90
S13L*4.8417-R*-**	44	14	24	90	107	33 (15)	77		120
S13L*7.2423-R*-**	48	14	30	122	146	36 (16.3)	104	\$50	136 *****
S13L*9.6429-R*-**	44	14	44	164	195	39 (17.7)	140	\$50	160 *****
S13L*12435-R*-**	48	14	44	179	213	42 (19)	153	\$50	164 *****
S13L*14.4441-R*-**	55	14	55	256	305	45 (20.4)	219	Too large for UPS	193 *****
S13L*16.8447-R*-**	55	14	55	256	305	67 (30.4)	219	Too large for UPS	193 *****

*****If shipment contains multiple cartons over 130" in girth or a combined actual weight over 200 lbs., LTL freight is recommended. Maximum girth for FedEx International small package shipments is 130".

 TOO LARGE FOR UPS
 L-SHAPE BOX

SmartOne S1T 2" Tubular Screw Plug Heaters

T SERIES, 2" TUBULAR SCREW PLUG HEATERS (Single Phase Standard)							
Model Number	Length	Width	Height	Dim. Wt. Domestic Air	Dim. Wt. International Air & Ground	Actual Weight LBS./(kg)	Box Girth
S1*T1110	20	9	10	11	13	11 (5)	58
S1*T2114 S1*T2214	24	12	12	14	14	14 (6.4)	72
S1*T3220	33	13	12	16	16	16 (7.3)	83
S1*T4226	42	12	12	37	44	20 (9.1)	90
S1*T5231	42	12	12	37	44	26 (11.8)	90
S1*T6237	48	13	12	46	54	29 (13.2)	98
S1*T1.6414	24	12	12	14	14	14 (6.4)	72
S1*T2.4420	33	13	12	16	38	16 (7.3)	83
S1*T3.2426	42	12	12	37	44	20 (9.1)	90
S1*T4431	42	12	12	37	44	26 (11.8)	90
S1*T4.8437	48	13	12	46	54	29 (13.2)	98
S1*T5.6443	55	13	12	52	62	32 (14.5)	105

*******If shipment contains multiple cartons over 130" in girth or a combined actual weight over 200 lbs., LTL freight is recommended. Maximum girth for FedEx International small package shipments is 130".**

HX & HXL Fluoropolymer Heaters

HX SERIES, SPIRAL FLUOROPOLYMER (PTFE) HEATERS (Single Phase Only)							
Model Number	Length	Width	Height	Dim. Wt. Domestic Air	Dim. Wt. International Air & Ground	Actual Weight LBS./(kg)	Box Girth
HX5111-** HX5211-**	20	9	10	11	13	6 (2.5)	58
HX1111-** HX1211-**	20	9	10	11	13	7 (3)	58
HX2117-** HX2217-** HX2417-**	24	11	12	20	23	8 (3.5)	70
HX3223-** HX3423-**	33	13	12	32	38	13 (6)	83
HX4229-** HX4429-**	42	12	12	37	44	15 (7)	90
HX5235-** HX5435-**	42	12	12	37	44	18 (8)	90
HX6240-** HX6440-**	44	13	12	42	50	21 (9.5)	94
2HX8247-** 2HX8447-**	55	13	12	52	62	25 (11.5)	105
2HX9254-** 2HX9454-**	62	13	12	59	70	28 (12.5)	112

HXL SERIES, SPIRAL L-SHAPED FLUOROPOLYMER (PTFE) HEATERS (Single Phase Only)							
Model Number	Length	Width	Height	Dim. Wt. Domestic Air	Dim. Wt. International Air & Ground	Actual Weight LBS./(kg)	Box Girth
HXL5106-R*-** HXL5206-R*-**	20	9	10	11	13	6 (2.5)	58
HXL1108-R*-** HXL1208-R*-**	24	11	12	20	23	7 (3)	70
HXL2112-R*-** HXL2212-R*-** HXL2412-R*-**	33	13	12	32	38	8 (3.5)	83
HXL3217-R*-** HXL3417-R*-**	24	12	22	39	46	13 (6)	92
HXL4220-R*-** HXL4420-R*-**	24	12	24	42	50	15 (7)	96
HXL5224-R*-** HXL5424-R*-**	33	14	24	67	80	18 (8)	109
HXL6229-R*-** HXL6429-R*-**	33	14	24	67	80	21 (9.5)	109
2HXL8237-R*-** 2HXL8437-R*-**	42	12	24	73	88	25 (11.5)	114
2HXL9244-R*-** 2HXL8444-R*-**	48	14	24	98	117	28 (12.5)	124

*****If shipment contains multiple cartons over 130" in girth or a combined actual weight over 200 lbs., LTL freight is recommended. Maximum girth for FedEx International small package shipments is 130".

HXF & HXFL Fluoropolymer Heaters

HXF SERIES, LOW PROFILE FLUOROPOLYMER (PTFE) HEATERS (Single Phase Only)							
Model Number	Length	Width	Height	Dim. Wt. Domestic Air	Dim. Wt. International Air & Ground	Actual Weight LBS./(kg)	Box Girth
HXF.5105-14-** HXF.5205-14-**	20	9	10	11	13	6 (2.5)	58
HXF1106-14-** HXF1206-14-**	20	9	10	11	13	7 (3)	58
HXF2108-17-** HXF2208-17-** HXF2408-17-**	24	11	12	20	23	8 (3.5)	70
HXF3209-23-** HXF3409-23-**	33	13	12	32	38	13 (6)	83
HXF4211-29-** HXF4411-29-**	42	12	12	37	44	15 (7)	90
HXF5212-35-** HXF5412-35-**	42	12	12	37	44	18 (8)	90
HXF6213-40-** HXF6413-40-**	48	13	12	46	54	21 (9.5)	98

HXFL SERIES, LOW PROFILE L-SHAPED FLUOROPOLYMER (PTFE) HEATERS (Single Phase Only)							
Model Number	Length	Width	Height	Dim. Wt. Domestic Air	Dim. Wt. International Air & Ground	Actual Weight LBS./(kg)	Box Girth
HXFL.5105-R*-** HXFL.5205-R*-**	20	9	10	11	13	6 (2.5)	58
HXFL1106-R*-** HXFL1206-R*-**	20	9	10	11	13	7 (3)	58
HXFL2108-R*-** HXFL2208-R*-** HXFL2408-R*-**	24	11	12	20	23	8 (3.5)	70
HXFL3209-R*-** HXFL3409-R*-**	24	11	12	20	23	13 (6)	70
HXFL4211-R*-** HXFL4411-R*-**	33	13	12	32	38	15 (7)	83
HXFL5212-R*-** HXFL5412-R*-**	36	15	15	49	59	18 (8)	96
HXFL6213-R*-** HXFL6413-R*-**	36	15	15	49	59	21 (9.5)	96

*****If shipment contains multiple cartons over 130" in girth or a combined actual weight over 200 lbs., LTL freight is recommended. Maximum girth for FedEx International small package shipments is 130".

HXO & 3HXO Fluoropolymer Heaters

HXO SERIES, FLUOROPOLYMER (PTFE) HEATERS (Single Phase Only)								
Model Number	Length	Width	Height	Dim. Wt. Domestic Air	Dim. Wt. International Air & Ground	Actual Weight LBS./ (kg)	Add'l Shipping Charges	Box Girth
HXO.5105-06-11-** HXO.5205-06-11-**	20	9	10	11	13	6 (2.5)		58
HXO1106-06-11-** HXO1206-06-11-**	20	9	10	11	13	7 (3)		58
HXO2106-10-17-** HXO2206-10-17-** HXO2406-10-17-**	24	11	12	20	23	8 (3.5)		70
HXO3206-12-23-** HXO3406-12-23-**	33	13	12	32	38	13 (6)		83
HXO4206-19-29-** HXO4406-19-29-**	33	13	12	32	38	15 (7)		83
HXO5206-20-35-** HXO5406-20-35-**	42	12	12	37	44	18 (8)		90
HXO6206-22-40-** HXO6406-22-40-**	48	13	12	46	54	22 (10)		98
2HXO8206-36-47-** 2HXO8406-36-47-**	55	13	12	52	62	25 (11.5)		105
2HXO9206-40-54-** 2HXO9406-40-54-**	62	13	12	59	70	28 (12.5)		112

3HXO SERIES, MULTI ELEMENT FLUOROPOLYMER (PTFE) HEATERS								
Model Number	Length	Width	Height	Dim. Wt. Domestic Air	Dim. Wt. International Air & Ground	Actual Weight LBS./ (kg)	Add'l Shipping Charges	Box Girth
3HXO1.5110-06-11-** 3HXO1.5210-06-11-**	24	11	12	20	23	15 (7)		70
3HXO3210-06-1-** 3HXO3410-06-11-**	24	11	12	20	23	20 (9)		70
3HXO4.5210-9.5-17-** 3HXO4.5410-9.5-17-**	24	11	12	21	21	21 (9.5)		70
3HXO6212-10.5-17-** 3HXO6412-10.5-17-**	33	13	12	32	38	22 (10)		83
3HXO9212-16-23-** 3HXO9412-16-23-**	33	13	12	36	36	36 (16.5)		83
3HXO12212-20.5-29-** 3HXO12412-20.5-29-**	42	12	12	42	42	42 (19)		90
3HXO15212-25-35-** 3HXO15412-25-35-**	44	13	12	48	48	48 (22)		94
3HXO18212-29-40-** 3HXO18412-29-40-**	48	13	12	54	54	54 (24.5)		98

*****If shipment contains multiple cartons over 130" in girth or a combined actual weight over 200 lbs., LTL freight is recommended. Maximum girth for FedEx International small package shipments is 130".

3HXOL Fluoropolymer Heaters

3HXOL SERIES, MULTI ELEMENT L-SHAPED FLUOROPOLYMER (PTFE) HEATERS								
Model Number	Length	Width	Height	Dim. Wt. Domestic Air	Dim. Wt. International Air & Ground	Actual Weight LBS./(kg)	Add'l Shipping Charges	Box Girth
3HXOL3207-13-R* ^{**} 3HXOL3407-13-R* ^{**}	33	13	12	32	38	20 (9)		83
3HXOL4.5209-10-R* ^{**} 3HXOL4.5409-10-R* ^{**}	33	13	12	32	38	21 (9.5)		83
3HXOL6210-19-R* ^{**} 3HXOL6410-19R* ^{**}	33	14	25	70	84	29 (13)		111
3HXOL9210-23-R* ^{**} 3HXOL9410-23-R* ^{**}	33	14	25	70	84	36 (16.5)		111
3HXOL12210-30-R* ^{**} 3HXOL12410-30-R* ^{**}	44	14	25	93	111	42 (19)		122
3HXOL15210-36-R* ^{**} 3HXOL15410-36-R* ^{**}	44	14	25	93	111	48 (22)		122
3HXOL18210-42-R* ^{**} 3HXOL18410-42-R* ^{**}	48	14	25	102	121	54 (24.5)		126

******If shipment contains multiple cartons over 130" in girth or a combined actual weight over 200 lbs., LTL freight is recommended. Maximum girth for FedEx International small package shipments is 130".**

3HX & 6HX Fluoropolymer Heaters

3HX SERIES, 3 ELEMENT FLUOROPOLYMER (PTFE) HEATERS							
Model Number	Length	Width	Height	Dim. Wt. Domestic Air	Dim. Wt. International Air & Ground	Actual Weight LBS./(kg)	Box Girth
3HX1117-1-** 3HX1217-**	24	11	12	20	23	10 (4.5)	70
3HX1.5123-1-** 3HX1.5223-** 3HX1.5423-**	33	13	12	32	38	11 (5)	83
3HX2229-** 3HX2429-**	33	13	12	32	38	12 (5.5)	83
3HX3235-** 3HX3435-**	42	12	12	37	44	14 (6.5)	90
3HX4247-** 3HX4447-**	55	13	12	52	62	17 (7.5)	105
3HX5259-** 3HX5459-**	67	13	12	63	76	20 (9)	117
3HX6268-** 3HX6468-**	80	13	12	76	90	23 (10.5)	130 *****

6HX SERIES, 6 ELEMENT FLUOROPOLYMER (PTFE) HEATERS							
Model Number	Length	Width	Height	Dim. Wt. Domestic Air	Dim. Wt. International Air & Ground	Actual Weight LBS./(kg)	Box Girth
6HX2117-1-** 6HX2217-** 6HX2417-**	33	13	12	32	38	19 (8.5)	83
6HX3223-** 6HX3423-**	33	13	12	32	38	22 (10)	83
6HX4229-** 6HX4429-**	42	12	12	37	44	24 (11)	90
6HX6235-** 6HX6435-**	42	12	12	37	44	27 (12)	90
6HS8247-** 6HX8447-**	55	13	12	52	62	33 (15)	105
6HX10259-** 6HX10459-**	67	13	12	63	76	40 (18)	117
6HX12268-** 6HX12468-**	80	13	12	76	90	45 (20.5)	130 *****

*****If shipment contains multiple cartons over 130" in girth or a combined actual weight over 200 lbs., LTL freight is recommended. Maximum girth for FedEx International small package shipments is 130".

9HX Fluoropolymer Heaters

9HX SERIES, 9 ELEMENT FLUOROPOLYMER (PTFE) HEATERS							
Model Number	Length	Width	Height	Dim. Wt. Domestic Air	Dim. Wt. International Air & Ground	Actual Weight LBS./ (kg)	Box Girth
9HX3217-** 9HX3417-**	33	13	12	28	38	28 (12.5)	83
9HX4.5223-** 9HX4.5423-**	33	13	12	33	33	33 (15)	83
9HX6229-** 9HX6429-**	44	13	12	42	50	36 (16.5)	94
9HX9235-** 9HX9435-**	44	13	12	40	50	40 (18)	94
9HX12247-** 9HX12447-**	55	13	12	49	62	49 (22)	105
9HX15259-** 9HX15459-**	67	13	12	60	76	60 (27)	117
9HX18268-** 9HX18468-**	80	13	12	67	90	67 (30.5)	<i>130</i> *****

*****If shipment contains multiple cartons over 130" in girth or a combined actual weight over 200 lbs., LTL freight is recommended. Maximum girth for FedEx International small package shipments is 130".

HXRL Fluoropolymer Heaters

HXRL SERIES, FLEX RISER FLUOROPOLYMER HEATERS							
Model Number	Length	Width	Height	Dim. Wt. Domestic Air	Dim. Wt. International Air & Ground	Actual Weight LBS./(kg)	Box Girth
HXRL1104-19L-** HXRL1204-19L-**	24	11	12	20	23	7 (3)	70
HXRL1106-13L-** HXRL1206-13L-**	24	11	12	20	23	7 (3)	70
HXRL1108-10L-** HXRL1208-10L-**	24	11	12	20	23	7 (3)	70
HXRL2106-25L-** HXRL2206-25L-** HXRL2406-25L-**	33	13	12	32	38	10 (4.5)	83
HXRL2108-19L-** HXRL2208-19L-** HXRL2408-19L-**	21	17	13	28	34	10 (4.5)	81
HXRL2110-15L-** HXRL2210-15L-** HXRL2410-15L-**	21	17	13	28	34	10 (4.5)	81
HXRL2112-13L-** HXRL2212-13L-** HXRL2412-13L-**	21	17	13	28	34	10 (4.5)	81
HXRL2114-11L-** HXRL2214-11L-** HXRL2414-11L-**	21	17	13	28	34	10 (4.5)	81
HXRL3210-23L-** HXRL3410-23L-**	33	13	12	32	38	12 (5.5)	83
HXRL3212-19L-** HXRL3412-19L-**	21	17	13	28	34	12 (5.5)	81
HXRL3214-16L-** HXRL3414-16L-**	21	17	13	28	34	12 (5.5)	81
HXRL3216-14L-** HXRL3416-14L-**	21	17	13	28	34	12 (5.5)	81

*****If shipment contains multiple cartons over 130" in girth or a combined actual weight over 200 lbs., LTL freight is recommended. Maximum girth for FedEx International small package shipments is 130".

HXRL Fluoropolymer Heaters (cont.)

HXRL SERIES, FLEX RISER FLUOROPOLYMER HEATERS (cont.)							
Model Number	Length	Width	Height	Dim. Wt. Domestic Air	Dim. Wt. International Air & Ground	Actual Weight LBS./(kg)	Box Girth
HXRL3218-13L-** HXRL3418-13L-**	21	17	13	28	34	12 (5.5)	81
HXRL4212-25L-** HXRL4412-25L-**	33	13	24	63	75	14 (6.5)	107
HXRL4214-22L-** HXRL4414-22L-**	36	15	15	49	59	14 (6.5)	96
HXRL4216-19L-** HXRL4416-19L-**	21	17	13	28	34	14 (6.5)	81
HXRL4218-17L-** HXRL4418-17L-**	21	17	13	28	34	14 (6.5)	81
HXRL4220-15L-** HXRL4420-15L-**	24	12	20	35	42	14 (6.5)	88
HXRL5212-31L-** HXRL5412-31L-**	33	13	24	63	75	17 (7.5)	107
HXRL5214-27L-** HXRL5414-27L-**	36	15	15	49	59	17 (7.5)	96
HXRL5216-24L-** HXRL5416-24L-**	36	15	15	49	59	17 (7.5)	96
HXRL5218-21L-** HXRL5418-21L-**	37	27	15	91	108	17 (7.5)	121
HXRL6212-36L-** HXRL6412-36L-**	44	13	12	42	50	20 (9)	94
HXRL6214-30L-** HXRL6414-30L-**	36	15	15	49	59	20 (9)	96
HXRL6216-26L-** HXRL6416-26L-**	37	27	15	91	108	20 (9)	121
HXRL6220-21L-** HXRL6420-21L-**	37	27	15	91	108	20 (9)	121

*******If shipment contains multiple cartons over 130" in girth or a combined actual weight over 200 lbs., LTL freight is recommended. Maximum girth for FedEx International small package shipments is 130".**

HXSL Fluoropolymer Heaters

HXSL SERIES, FLEX RISER FLUOROPOLYMER HEATERS							
Model Number	Length	Width	Height	Dim. Wt. Domestic Air	Dim. Wt. International Air & Ground	Actual Weight LBS./(kg)	Box Girth
HXSL1000-**				*	*	7 (3)	*
HXSL2000-**				*	*	10 (4.5)	*
HXSL3000-**				*	*	12 (5.5)	*
HXSL4000-**				*	*	14 (6.5)	*
HXSL5000-**				*	*	17 (7.5)	*
HXSL6000-**				*	*	20 (9)	*

* Based on heater size selected

*****If shipment contains multiple cartons over 130" in girth or a combined actual weight over 200 lbs., LTL freight is recommended. Maximum girth for FedEx International small package shipments is 130".

HXOL Fluoropolymer Heaters

HXOL SERIES, FLEX RISER FLUOROPOLYMER HEATERS							
Model Number	Length	Width	Height	Dim. Wt. Domestic Air	Dim. Wt. International Air & Ground	Actual Weight LBS./ (kg)	Box Girth
HXOL1102-11L-** HXOL1202-11L-**	20	9	10	11	13	7 (3)	58
HXOL1104-08L-** HXOL1204-08L-**	20	9	10	11	13	7 (3)	58
HXOL2104-13L-** HXOL2204-13L-** HXOL2404-13L-**	20	9	10	11	13	10 (4.5)	58
HXOL2105-10L-** HXOL2205-10L-** HXOL2405-10L-**	20	9	10	11	13	10 (4.5)	58
HXOL2106-08L-** HXOL2206-08L-** HXOL2406-08L-**	20	9	10	11	13	10 (4.5)	58
HXOL3204-18L-** HXOL3404-18L-**	24	11	12	20	23	12 (5.5)	70
HXOL3205-12L-** HXOL3405-12L-**	24	11	12	20	23	12 (5.5)	70
HXOL3206-11L-** HXOL3406-11L-**	24	11	12	20	23	12 (5.5)	70
HXOL3208-08L-** HXOL3408-08L-**	21	17	13	28	34	12 (5.5)	81
HXOL4205-18L-** HXOL4405-18L-**	21	17	13	28	34	14 (6.5)	81

*******If shipment contains multiple cartons over 130" in girth or a combined actual weight over 200 lbs., LTL freight is recommended. Maximum girth for FedEx International small package shipments is 130".**

HXOL Fluoropolymer Heaters (cont.)

HXOL SERIES, FLEX RISER FLUOROPOLYMER HEATERS (cont.)							
Model Number	Length	Width	Height	Dim. Wt. Domestic Air	Dim. Wt. International Air & Ground	Actual Weight LBS./(kg)	Box Girth
HXOL4206-14L-** HXOL4406-14L-**	21	17	13	28	34	14 (6.5)	81
HXOL4208-11L-** HXOL4408-11L-**	21	17	13	28	34	14 (6.5)	81
HXOL5206-18L-** HXOL5406-18L-**	21	17	13	28	34	17 (7.5)	81
HXOL5208-13L-** HXOL5408-13L-**	21	17	13	28	34	17 (7.5)	81
HXOL5209-11L-** HXOL5409-11L-**	21	17	13	28	34	17 (7.5)	81
HXOL5210-10L-** HXOL5410-10L-**	21	17	13	28	34	17 (7.5)	81
HXOL6207-18L-** HXOL6407-18L-**	21	17	13	28	34	20 (9)	81
HXOL6208-15L-** HXOL6408-15L-**	21	17	13	28	34	20 (9)	81
HXOL6209-13L-** HXOL6409-13L-**	21	17	13	28	34	20 (9)	81
HXOL6210-12L-** HXOL6410-12L-**	21	17	13	28	34	20 (9)	81
HXOL6211-11L-** HXOL6411-11L-**	21	17	13	28	34	20 (9)	81

*******If shipment contains multiple cartons over 130" in girth or a combined actual weight over 200 lbs., LTL freight is recommended. Maximum girth for FedEx International small package shipments is 130".**

QM Quartz Heaters

QM SERIES, QUARTZ HEATERS WITH METAL ELEMENTS							
Model Number	Length	Width	Height	Dim. Wt. Domestic Air	Dim. Wt. International Air & Ground	Actual Weight LBS./ (kg)	Box Girth
QM.5*10* ** Complete	20	9	10	11	13	9 (4)	58
QM.5*10J* ** Tube Only	12	12	12	11	13	5 (2.5)	60
QM.5*10E* ** Element Only	12	12	12	11	13	4 (2)	60
QM10G Guard Only	15	6	7	4	5	3 (1.5)	41
QM1*11* ** Complete	20	9	10	11	13	10 (4.5)	58
QM1*11J* ** Tube Only	12	12	12	11	13	5 (2.5)	60
QM1*11E* ** Element Only	12	12	12	11	13	4 (2)	60
QM11G Guard Only	15	6	7	4	5	3 (1.5)	41
QM1*17* ** Complete	24	11	12	20	23	11 (5)	70
QM1*17J* ** Tube Only	20	9	10	11	13	6 (2.5)	58
QM1*17E* ** Element Only	20	9	10	11	13	5 (2.5)	58
QM17G Guard Only	20	9	10	11	13	5 (2.5)	58
QM2*17* ** Complete	24	11	12	20	23	11 (5)	70
QM2*17J* ** Tube Only	24	11	12	20	23	6 (2.5)	70
QM2*17E* ** Element Only	20	9	10	11	13	5 (2.5)	58
QM17G Guard Only	20	9	10	11	13	5 (2.5)	58
QM2*23* ** Complete	33	13	12	32	38	14 (6.5)	83
QM2*23J* ** Tube Only	33	13	12	32	38	9 (4)	83
QM2*23E* ** Element Only	24	11	12	20	23	6 (2.5)	70
QM23G Guard Only	33	9	6	11	13	6 (2.5)	63
QM3*23* ** Complete	33	13	12	32	38	14 (6.5)	83
QM3*23J* ** Tube Only	33	13	12	32	38	9 (4)	83
QM3*23E* ** Element Only	24	11	12	20	23	6 (2.5)	70
QM23G Guard Only	33	9	6	11	13	6 (2.5)	63
QM3*29* ** Complete	42	12	12	37	44	17 (7.5)	90
QM3*29J* ** Tube Only	42	12	12	37	44	12 (5.5)	90
QM3*29E* ** Element Only	33	9	6	11	13	10 (4.5)	63
QM29G Guard Only	33	9	6	11	13	8 (3.5)	63
QM3.5*29* ** Complete	42	12	12	37	44	17 (7.5)	90
QM3.5*29J* ** Tube Only	42	12	12	37	44	12 (5.5)	90
QM3.5*29E* ** Element Only	33	9	6	11	13	10 (4.5)	63
QM29G Guard Only	33	9	6	11	13	8 (3.5)	63

*******If shipment contains multiple cartons over 130" in girth or a combined actual weight over 200 lbs., LTL freight is recommended. Maximum girth for FedEx International small package shipments is 130".**

QM Quartz Heaters (cont.)

QM SERIES, QUARTZ HEATERS WITH METAL ELEMENTS (cont.)							
Model Number	Length	Width	Height	Dim. Wt. Domestic Air	Dim. Wt. International Air & Ground	Actual Weight LBS./(kg)	Box Girth
QM4*35* ** Complete	42	12	12	37	44	20 (9)	90
QM4*35J- ** Tube Only	42	12	12	37	44	15 (7)	90
QM4*35E- ** Element Only	42	12	12	37	44	10 (4.5)	90
QM35G Guard Only	44	9	6	15	18	8 (3.5)	74
QM4*41* ** Complete	48	13	12	46	54	23 (10.5)	98
QM4*41J- ** Tube Only	48	13	12	46	54	17 (7.5)	98
QM4*41E- ** Element Only	42	12	12	37	44	11 (5)	90
QM41G Guard Only	44	9	6	15	18	9 (4)	74
QM5*41* ** Complete	48	13	12	46	54	23 (10.5)	98
QM5*41J- ** Tube Only	48	13	12	46	54	17 (7.5)	98
QM5*41E- ** Element Only	42	12	12	37	44	11 (5)	90
QM41G Guard Only	44	9	6	15	18	9 (4)	74
QM5*47* ** Complete	55	13	12	52	62	26 (12)	105
QM5*47J- ** Tube Only	55	13	12	52	62	19 (8.5)	105
QM5*47E- ** Element Only	48	13	12	46	54	14 (6.5)	98
QM47G Guard Only	48	13	12	46	54	10 (4.5)	98
QM6*47* ** Complete	55	13	12	52	62	26 (12)	105
QM6*47J- ** Tube Only	55	13	12	52	62	19 (8.5)	105
QM6*47E- ** Element Only	48	13	12	46	54	14 (6.5)	98
QM47G Guard Only	48	13	12	46	54	10 (4.5)	98
QM6*52* ** Complete	62	13	12	59	70	29 (13)	112
QM6*52J- ** Tube Only	62	13	12	59	70	21 (9.5)	112
QM6*52E- ** Element Only	55	13	12	52	62	15 (7)	105
QM52G Guard Only	55	13	12	52	62	12 (5.5)	105
QM8*59* ** Complete	67	13	12	63	76	31 (14)	117
QM8*59J- ** Tube Only	67	13	12	63	76	22 (10)	117
QM8*59E- ** Element Only	62	13	12	59	70	17 (7.5)	112
QM59G Guard Only	62	13	12	59	70	14 (6.5)	112
QM10*71* ** Complete	80	13	12	76	90	34 (15.5)	130****
QM10*71J- ** Tube Only	80	13	12	76	90	25 (11.5)	130****
QM10*71E- ** Element Only	80	13	12	76	90	18 (8)	130****
QM71G Guard Only	80	13	12	76	90	20 (9)	130****

****If shipment contains multiple cartons over 130" in girth or a combined actual weight over 200 lbs., LTL freight is recommended. Maximum girth for FedEx International small package shipments is 130".

3QM Triple Quartz Heater Guards

3QM SERIES, TRIPLE QUARTZ HEATER GUARDS							
Model Number	Length	Width	Height	Dim. Wt. Domestic Air	Dim. Wt. International Air & Ground	Actual Weight LBS./(kg)	Box Girth
3QM10G	12	12	12	11	13	3 (1.5)	60
3QM11G	12	12	12	11	13	3 (1.5)	60
3QM17G	24	12	12	21	25	4 (2)	72
3QM23G	24	12	12	21	25	5 (2.5)	72
3QM29G	33	13	12	32	38	7 (3)	83
3QM35G	42	12	12	37	44	8 (3.5)	90
3QM41G	44	13	12	42	50	10 (4.5)	94
3QM47G	48	13	12	46	54	11 (5)	98
3QM52G	55	13	12	52	62	13 (6)	105
3QM59G	62	13	12	59	70	15 (7)	112
3QM71G	80	13	12	76	90	17 (7.5)	130 *****

*****If shipment contains multiple cartons over 130" in girth or a combined actual weight over 200 lbs., LTL freight is recommended. Maximum girth for FedEx International small package shipments is 130".

P, F, S, & T Metal Over The Side Heaters

P, F, S & T SERIES, METAL OVER THE SIDE HEATERS (Single Phase Standard)							
Model Number	Length	Width	Height	Dim. Wt. Domestic Air	Dim. Wt. International Air & Ground	Actual Weight LBS./(kg)	Box Girth
*1111-** *1211-**	20	9	10	11	13	8 (3.5)	58
*2217-** *2417-**	33	9	6	11	13	10 (4.5)	63
*3223-** *3423-**	33	9	6	12	12	12 (5.5)	63
*4229-** *4429-**	45	9	6	13	13	13 (6)	75
*5235-** *5435-**	45	9	6	16	16	16 (7.5)	75
*6240-** *6440-**	45	9	6	18	18	18 (8)	75
*8247-** *8447-**	55	13	12	52	62	23 (10.5)	105
*9254-** *9454-**	62	13	12	59	70	24 (11)	112
*10259-** *10459-**	67	13	12	63	76	25 (11.5)	117
*12468-**	80	13	12	76	90	29 (13)	<i>130</i> *****

*****If shipment contains multiple cartons over 130" in girth or a combined actual weight over 200 lbs., LTL freight is recommended. Maximum girth for FedEx International small package shipments is 130".

3P, 3F, 3S & 3T Metal Over The Side Heaters

3P, 3F, 3S, & 3T SERIES, TRIPLE METAL OVER THE SIDE HEATERS							
Model Number	Length	Width	Height	Dim. Wt. Domestic Air	Dim. Wt. International Air & Ground	Actual Weight LBS./(kg)	Box Girth
3*3211-** 3*3411-**	21	17	13	24	28	21 (9.5)	81
3*6217-** 3*6417-**	33	13	12	30	38	30 (13.5)	83
3*9223-** 3*9423-**	33	13	12	35	35	35 (16)	83
3*12229-** 3*12429-**	44	13	12	39	50	39 (17.5)	94
3*15235-** 3*15435-**	44	13	12	48	48	48 (22)	94
3*18240-** 3*18440-**	48	13	12	51	51	51 (23)	98
3*24247-** 3*24447-**	55	13	12	68	68	68 (31)	105
3*27454-**	62	13	12	71	71	71 (32)	112
3*30459-**	67	13	12	75	75	75 (34)	117
3*36468-**	80	13	12	88	88	88 (40)	<i>130</i> *****

*****If shipment contains multiple cartons over 130" in girth or a combined actual weight over 200 lbs., LTL freight is recommended. Maximum girth for FedEx International small package shipments is 130".

D Metal Over The Side Heaters

D SERIES, DERATED METAL OVER THE SIDE HEATERS (Single Phase Standard)							
Model Number	Length	Width	Height	Dim. Wt. Domestic Air	Dim. Wt. International Air & Ground	Actual Weight LBS./(kg)	Box Girth
D*.5111-** D*.5211-**	20	9	10	11	13	8 (3.5)	58
D*1217-** D*1417-**	33	9	6	11	13	10 (4.5)	63
D*1.5223-** D*1.5423-**	33	9	6	12	12	12 (5.5)	63
D*2229-** D*2429-**	33	9	6	13	13	13 (6)	63
D*2.5235-** D*2.5435-**	45	9	6	16	16	16 (7.5)	75
D*3240-** D*3440-**	45	9	6	18	18	18 (8)	75
D*4247-** D*4447-**	55	13	12	52	62	23 (10.5)	105
D*4.5254-** D*4.5454-**	62	13	12	59	70	24 (11)	112
D*5259-** D*5459-**	67	13	12	63	76	25 (11.5)	117
D*6268-** D*6468-**	80	13	12	76	90	29 (13)	<i>130</i> *****

*****If shipment contains multiple cartons over 130" in girth or a combined actual weight over 200 lbs., LTL freight is recommended. Maximum girth for FedEx International small package shipments is 130".

D3 Metal Over The Side Heaters

D3 SERIES, DERATED TRIPLE METAL OVER THE SIDE HEATERS							
Model Number	Length	Width	Height	Dim. Wt. Domestic Air	Dim. Wt. International Air & Ground	Actual Weight LBS./(kg)	Box Girth
D3*1.5111-** D3*1.5211-**	21	17	13	28	34	21 (9.5)	81
D3*3217-** D3*3417-**	33	13	12	30	38	30 (13.5)	83
D3*4.5223-** D3*4.5423-**	33	13	12	35	35	35 (16)	83
D3*6229-** D3*6429-**	44	13	12	39	50	39 (17.5)	94
D3*7.5235-** D3*7.5435-**	44	13	12	48	48	48 (22)	94
D3*9240-** D3*9440-**	48	13	12	51	51	51 (23)	98
D3*12247-** D3*12447-**	55	13	12	68	68	68 (31)	105
D3*13.5254-** D3*13.5454-**	62	13	12	71	71	71 (32)	112
D3P15259-** D3915459-**	67	13	12	75	75	75 (34)	117
D3P18268-** D3P18468-**	80	13	12	88	88	88 (40)	<i>130</i> *****

*****If shipment contains multiple cartons over 130" in girth or a combined actual weight over 200 lbs., LTL freight is recommended. Maximum girth for FedEx International small package shipments is 130".

L Metal L-Shaped Heaters

L SERIES, METAL L-SHAPED HEATERS (Single Phase Standard)								
Model Number	Length	Width	Height	Dim. Wt. Domestic Air	Dim. Wt. International Air & Ground	Actual Weight LBS./(kg)	Add'l Shipping Charges	Box Girth
L*1113-R* L*1213-R*	24	12	21	37	44	12 (5.5)		90
L*2117-R* L*2217-R* L*2417-R*	33	14	24	67	80	16 (7.5)		109
L*3222-R* L*3422-R*	33	14	28	78	94	20 (9)		117
L*4226-R* L*4426-R*	42	12	28	86	102	21 (9.5)		122
L*5231-R* L*5431-R*	42	13	42	139	165	24 (11)	\$50	152 *****
L*6236-R* L*6436-R*	48	14	56	227	271	30 (13.5)	Too large for UPS	180 *****
L*8244-R* L*8444-R*	55	14	56	260	311	34 (15.5)	Too large for UPS	194 *****
L*9250-R* L*9450-R*	62	14	56	293	350	36 (16.5)	Too large for UPS	202 *****
L*10255-R* L*10455-R*	67	14	56	317	378	39 (17.5)	Too large for UPS	207 *****
L*12464-R*	80	14	56	378	452	46 (21)	Too large for UPS	220 *****

*****If shipment contains multiple cartons over 130" in girth or a combined actual weight over 200 lbs., LTL freight is recommended. Maximum girth for FedEx International small package shipments is 130".

TOO LARGE FOR UPS
L-SHAPE BOX

3L Metal L-Shaped Heaters

3L SERIES, TRIPLE METAL L-SHAPED HEATERS (Three Phase Standard)								
Model Number	Length	Width	Height	Dim. Wt. Domestic Air	Dim. Wt. International Air & Ground	Actual Weight LBS./(kg)	Add'l Shipping Charges	Box Girth
3L*3213-R* 3L*3413-R*	24	12	21	37	44	30 (13.5)		90
3L*6217R* 3L*6417-R*	44	14	24	90	107	33 (15)		120
3L*9222-R* 3L*9422-R*	48	14	30	122	146	40 (18)	\$50	136 *****
3L*12226-R* 3L*12426-R*	44	14	44	164	195	44 (20)	\$50	160 *****
3L*15231-R* 3L*15431-R*	44	14	44	164	195	49 (22)	\$50	160 *****
3L*18236-R* 3L*18436-R*	80	14	29	191	191	59 (27)	Too large for UPS	166 *****
3L*24244-R* 3L*24444-R*	55	14	55	256	305	68 (31)	Too large for UPS	193 *****
3L*27450-R*	62	14	55	288	344	75 (34)	Too large for UPS	200 *****
3L*30455-R*	67	14	55	311	372	81 (36.5)	Too large for UPS	205 *****
3L*36464-R*	80	14	55	372	444	93 (42)	Too large for UPS	218 *****

*****If shipment contains multiple cartons over 130" in girth or a combined actual weight over 200 lbs., LTL freight is recommended. Maximum girth for FedEx International small package shipments is 130".

 **TOO LARGE FOR UPS**
 **L-SHAPE BOX**

3LV Metal L-Shaped Heaters

3LV SERIES, VERTICAL STACK TRIPLE METAL L-SHAPED HEATERS (Three Phase Standard)								
Model Number	Length	Width	Height	Dim. Wt. Domestic Air	Dim. Wt. International Air & Ground	Actual Weight LBS./(kg)	Add'l Shipping Charges	Box Girth
3LV*3213-R* 3LV*3413-R* ***	24	12	21	37	44	30 (13.5)		90
3LV*6217-R* 3LV*6417-R* ***	33	14	24	67	80	33 (15)		109
3LV*9222-R* 3LV*9422-R* ***	48	14	30	122	146	40 (18)	\$50	136 *****
3LV*12226-R* 3LV*12426-R* ***	44	14	44	164	195	44 (20)	\$50	160 *****
3LV*15231-R* 3LV*15431-R* ***	44	14	44	164	195	49 (22)	\$50	160 *****
3LV*18236-R* 3LV*18436-R* ***	48	14	55	223	266	59 (27)	Too large for UPS	179 *****
3LV*24244-R* 3LV*24444-R* ***	55	14	55	256	305	68 (31)	Too large for UPS	193 *****
3LV*27450-R* ***	62	14	55	288	344	75 (34)	Too large for UPS	200 *****
3LV*30455-R* ***	67	14	55	311	372	81 (36.5)	Too large for UPS	205 *****
3LV*36464-R* ***	80	14	55	372	444	93 (42)	Too large for UPS	218 *****

*****If shipment contains multiple cartons over 130" in girth or a combined actual weight over 200 lbs., LTL freight is recommended. Maximum girth for FedEx International small package shipments is 130".

 **TOO LARGE FOR UPS**
 **L-SHAPE BOX**

DL Metal L-Shaped Heaters

DL SERIES, DERATED METAL L-SHAPED HEATERS (Single Phase Standard)								
Model Number	Length	Width	Height	Dim. Wt. Domestic Air	Dim. Wt. International Air & Ground	Actual Weight LBS./(kg)	Add'l Shipping Charge	Box Girth
DL*.5113-R* ^{**} DL*.5213-R* ^{**}	24	12	21	37	44	12 (5.5)		90
DL*1117-R* ^{**} DL*1217-R* ^{**}	33	14	24	67	80	16 (7.5)		109
DL*1.5122-R* ^{**} DL*1.5222-R* ^{**} DL*1.5422-R* ^{**}	33	14	28	78	94	20 (9)		117
DL*2226-R* ^{**} DL*2426-R* ^{**}	42	12	28	86	102	21 (9.5)		122
DL*2.5231-R* ^{**} DL*2.5431-R* ^{**}	42	13	42	139	165	24 (11)	\$50	152 *****
DL*3236-R* ^{**} DL*3436-R* ^{**}	48	14	56	227	271	30 (13.5)	Too large for UPS	180 *****
DL*4244-R* ^{**} DL*444-R* ^{**}	55	14	56	260	311	34 (15.5)	Too large for UPS	194 *****
DL*4.5250-R* ^{**} DL*4.5450-R* ^{**}	62	14	56	293	350	36 (16.5)	Too large for UPS	202 *****
DL*5255-R* ^{**} DL*5455-R* ^{**}	67	14	56	317	378	39 (17.5)	Too large for UPS	207 *****
DL*6264-R* ^{**} DL*6464-R* ^{**}	80	14	56	378	452	46 (21)	Too large for UPS	220 *****

*****If shipment contains multiple cartons over 130" in girth or a combined actual weight over 200 lbs., LTL freight is recommended. Maximum girth for FedEx International small package shipments is 130".

 **TOO LARGE FOR UPS**
 **L-SHAPE BOX**

D3L Metal L-Shaped Heaters

D3L SERIES DERATED TRIPLE METAL L-SHAPED HEATERS (Three Phase Standard)								
Model Number	Length	Width	Height	Dim. Wt. Domestic Air	Dim. Wt. International Air & Ground	Actual Weight LBS./ (kg)	Add'l Shipping Charges	Box Girth
D3L*1.5113-R*-** D3L*1.5213-R*-**	24	12	21	37	44	30 (13.5)		90
D3L*3217-R*-** D3L*3417-R*-**	44	14	24	90	107	33 (15)		120
D3L*4.5222-R*-** D3L*4.5422-R*-**	48	14	30	122	146	40 (18)	\$50	136 *****
D3L*6226-R*-** D3L*6426-R*-**	44	14	44	164	195	44 (20)	\$50	160 *****
D3L*7.5231-R*-** D3L*7.5431-R*-**	44	14	44	164	195	49 (22)	\$50	160 *****
D3L*9236-R*-** D3L*9436-R*-**	48	14	55	223	266	59 (27)	Too large for UPS	179 *****
D3L*12244-R*-** D3L*12444-R*-**	55	14	55	256	305	68 (31)	Too large for UPS	193 *****
D3L*13.5250-R*-** D3L*13.5450-R*-**	62	14	55	288	344	75 (34)	Too large for UPS	200 *****
D3L*15255-R*-** D3L*15455-R*-**	67	14	55	311	372	81 (36.5)	Too large for UPS	205 *****
D3L*18264-R*-** D3L*18464-R*-**	80	14	55	372	444	93 (42)	Too large for UPS	218 *****

*****If shipment contains multiple cartons over 130" in girth or a combined actual weight over 200 lbs., LTL freight is recommended. Maximum girth for FedEx International small package shipments is 130".

 **TOO LARGE FOR UPS**
 **L-SHAPE BOX**

Deep Tank Metal & Triple Metal Heaters

DEEP TANK METAL HEATERS (Single Phase Standard)									
Model Number	Length	Width	Height	Dim. Wt. Domestic Air	Dim. Wt. International Air & Ground	Actual Weight LBS./(kg)	Shipping Weight Ground	Add'l Shipping Charges	Box Girth
*12499-**	110	15	15	150	179	37 (17)	128	Too large for UPS	170 *****
*124120-**	134	15	15	182	217	45 (20.5)	156	Too large for UPS	194 *****
*124144-**	160	15	15	217	259	53 (24)	186	Too large for UPS	220 *****
*15496-**	110	15	15	150	179	37 (17)	128	Too large for UPS	170 *****
*154120-**	134	15	15	182	217	45 (20.5)	156	Too large for UPS	194 *****
*154144-**	160	15	15	217	259	53 (24)	186	Too large for UPS	220 *****
*18496-**	110	15	15	150	179	37 (17)	128	Too large for UPS	170 *****
*184120-**	134	15	15	182	217	45 (20.5)	156	Too large for UPS	194 *****
*184144-**	160	15	15	217	259	53 (24)	186	Too large for UPS	220 *****

3V SERIES, TRIPLE METAL DEEP TANK HEATERS (Three Phase Standard)									
Model Number	Length	Width	Height	Dim. Wt. Domestic Air	Dim. Wt. International Air & Ground	Actual Weight LBS./(kg)	Shipping Weight Ground	Add'l Shipping Charges	Box Girth
3V*18236-** 3V*18436-**	55	13	12	70	70	70 (32)	70		105
3V*24244-** 3V*24444-**	62	13	12	75	75	75 (34)	75		112
3V*27450-**	67	13	12	80	80	80 (36.5)	80		117
3V*30455-**	80	13	12	87	87	87 (39.5)	87		130 *****
3V*36464-**	88	14	14	100	125	100 (45.5)	100	Too large for UPS	144 *****
3V*45472-**	96	14	14	120	120	120 (54.5)	120	Too large for UPS	152 *****
3V*48476-**	96	14	14	125	125	125 (56.5)	125	Too large for UPS	152 *****
3V*54484-**	110	14	14	140	140	140 (63.5)	140	Too large for UPS	166 *****

*****If shipment contains multiple cartons over 130" in girth or a combined actual weight over 200 lbs., LTL freight is recommended. Maximum girth for FedEx International small package shipments is 130".

TOO LARGE FOR UPS

3HS, 6HS & 9HS Stainless Steel Heaters

3HS SERIES, 3 ELEMENT 316 STAINLESS STEEL HEATERS (Three Phase Standard)								
Model Number	Length	Width	Height	Dim. Wt.	Dim. Wt.	Actual Weight	Shipping Weight	Box Girth
				Domestic Air	International Air & Ground		LBS./(kg)	
3HS3217-** 3HS3417-**	24	11	12	20	23	9 (4)	9	70
3HS4.5223-** 3HS4.5423-**	33	13	12	32	38	10 (4.5)	10	83
3HS7.5229-** 3HS7.5429-**	42	12	12	37	44	12 (5.5)	32	90
3HS10.5234-** 3HS10.5434-**	42	12	12	37	44	14 (6.5)	32	90

6HS SERIES, 6 ELEMENT 316 STAINLESS STEEL HEATERS (Three Phase Standard)								
Model Number	Length	Width	Height	Dim. Wt.	Dim. Wt.	Actual Weight	Shipping Weight	Box Girth
				Domestic Air	International Air & Ground		LBS./(kg)	
6HS6217-** 6HS6417-**	24	11	12	20	23	15 (7)	15	70
6HS9223-** 6HS9423-**	33	13	12	32	38	20 (9)	20	83
6HS15229-** 6HS15429-**	42	12	12	37	44	24 (11)	32	90
6HS21234-** 6HS21434-**	42	12	12	37	44	27 (12)	32	90

9HS SERIES, 9 ELEMENT 316 STAINLESS STEEL HEATERS (Three Phase Standard)								
Model Number	Length	Width	Height	Dim. Wt.	Dim. Wt.	Actual Weight	Shipping Weight	Box Girth
				Domestic Air	International Air & Ground		LBS./(kg)	
9HS9217-** 9HS9417-**	33	13	12	32	38	25 (11.5)	25	83
9HS13.5223-** 9HS13.5423-**	33	13	12	28	38	28 (12.5)	28	83
9HS22.5229-** 9HS22.5429-**	44	13	12	42	50	33 (15)	36	94
9HS31.5234-** 9HS31.5434-**	44	13	12	38	50	38 (17)	38	94

*****If shipment contains multiple cartons over 130" in girth or a combined actual weight over 200 lbs., LTL freight is recommended. Maximum girth for FedEx International small package shipments is 130".

DAS Phospate & V Varipower Heaters

DAS SERIES, OVER THE SIDE 316 STAINLESS STEEL PHOSPHATE HEATERS							
Model Number	Length	Width	Height	Dim. Wt. Domestic Air	Dim. Wt. International Air & Ground	Actual Weight LBS./(kg)	Box Girth
DAS1111-PIM DAS1211-PIM	20	9	10	17	17	17 (7.5)	58
DAS2217-PIM DAS2417-PIM	24	11	12	20	23	20 (9)	70
DAS3223-PIM DAS3423-PIM	33	13	12	32	38	24 (11)	83
DAS3.5229-PIM DAS3.5429-PIM	42	12	12	37	44	30 (13.5)	90
DAS4235-PIM DAS4435-PIM	42	12	12	36	44	36 (16.5)	90
DAS5241-PIM DAS5441-PIM	48	13	12	42	54	42 (19)	98
DAS6247-PIM DAS6447-PIM	55	13	12	48	62	48 (22)	105
DAS8259-PIM DAS8459-PIM	67	13	12	58	76	58 (26.5)	117
DAS10271-PIM DAS10471-PIM	80	13	12	76	90	64 (29)	130 *****

V SERIES, VARIPOWER HEATERS (1/2" Dia.)							
Model Number	Length	Width	Height	Dim. Wt. Domestic Air	Dim. Wt. International Air & Ground	Actual Weight LBS./(kg)	Box Girth
V*.1107 V*.1207	10	10	7	5	6	2 (1)	44
V*.3111 V*.3211	10	10	7	5	6	2 (1)	44
V*.5111 V*.5211	10	10	7	5	6	2 (1)	44
V*1111 V*1211	10	10	7	5	6	2 (1)	44

*****If shipment contains multiple cartons over 130" in girth or a combined actual weight over 200 lbs., LTL freight is recommended. Maximum girth for FedEx International small package shipments is 130".

B Small Tank Heaters

B SERIES, SMALL TANK METAL HEATERS (1-1/4" Dia.)							
Model Number	Length	Width	Height	Dim. Wt. Domestic Air	Dim. Wt. International Air & Ground	Actual Weight LBS./(kg)	Box Girth
*B.5110-** *B.5210-**	20	9	10	11	13	5 (2.5)	58
*B1114-** *B1214-**	20	9	10	11	13	6 (2.5)	58
*B1.5117-** *B1.5217-**	24	11	12	20	23	8 (3.5)	70
*B2123-** *B2223-**	33	13	12	32	38	9 (4)	83

*****If shipment contains multiple cartons over 130" in girth or a combined actual weight over 200 lbs., LTL freight is recommended. Maximum girth for FedEx International small package shipments is 130".

Tytan Heaters

TYTAN WATER HEATERS							
Model Number	Length	Width	Height	Dim. Wt. Domestic Air	Dim. Wt. International Air & Ground	Actual Weight LBS./(kg)	Box Girth
TY-012-240 TY-012-480	48	48	29	403	481	125 (56.5)	202 *****
TY-018-240 TY-018-480	48	48	29	403	481	125 (56.5)	202 *****
TY-024-240 TY-024-480	48	48	29	403	481	125 (56.5)	202 *****
TY-048-240	48	48	29	403	481	175 (79.50)	202 *****
TY-048-480	48	48	29	403	481	175 (79.50)	202 *****
TY-072-240	48	48	29	403	481	225 (102)	202 *****
TY-072-480	48	48	29	403	481	225 (102)	202 *****
TY-096-480	40	34	80	656	783	400 (181.5)	268 *****
TY-120-480	40	34	80	656	783	450 (204)	268 *****
TY-1440-480	40	34	80	656	783	500 (227)	268 *****

ALL OF THE ABOVE ARE WOOD CRATES

*****If shipment contains multiple cartons over 130" in girth or a combined actual weight over 200 lbs., LTL freight is recommended. Maximum girth for FedEx International small package shipments is 130".

TOO LARGE FOR UPS

T & 2T Screw Plug Heaters

T SERIES, 2" TUBULAR SCREW PLUG HEATERS (Single Phase Standard)							
Model Number	Length	Width	Height	Dim. Wt. Domestic Air	Dim. Wt. International Air & Ground	Actual Weight LBS./ (kg)	Box Girth
*T1110 *T1210	20	9	10	11	13	11 (5)	58
*T2114 *T2214 *T2414	20	9	10	14	14	14 (6.5)	58
*T3219 *T3419	33	9	6	16	16	16 (7.5)	63
*T4223 *T4423	33	9	6	20	20	20 (9)	63
*T6233 *T6433	45	9	6	26	26	26 (12)	75
*T8240 *T8440	45	9	6	29	29	29 (13)	75
*T9247 *T9447	55	13	12	52	62	32 (14.5)	105
*T12461	67	13	12	63	76	37 (17)	117

2T SERIES, 2" 316 STAINLESS SCREW PLUG HEATERS							
Model Number	Length	Width	Height	Dim. Wt. Domestic Air	Dim. Wt. International Air & Ground	Actual Weight LBS./ (kg)	Box Girth
2T2208 2T2408	20	9	10	11	13	6 (2.5)	58
2T3212 2T3412	20	9	10	11	13	6 (2.5)	58
2T4218 2T4418	33	9	6	11	13	7 (3)	63
2T6225 2T6425	33	9	6	11	13	8 (3.5)	63
2T8228 2T8428	33	9	6	11	13	10 (4.5)	63
2T10241 2T10441	45	9	6	15	18	11 (5)	75
2T12248 2T12448	55	13	12	52	62	13 (6)	105
2T15254 2T15454	62	13	12	59	70	15 (7)	112

*****If shipment contains multiple cartons over 130" in girth or a combined actual weight over 200 lbs., LTL freight is recommended. Maximum girth for FedEx International small package shipments is 130".

5T, T2T & T5T Screw Plug Heaters

5T SERIES, 2-1/2" 316 STAINLESS SCREW PLUG HEATERS							
Model Number	Length	Width	Height	Dim. Wt. Domestic Air	Dim. Wt. International Air & Ground	Actual Weight LBS./ (kg)	Box Girth
5T4.5212 5T4.5412	20	9	10	11	13	9 (4)	58
5T6217 5T6417	33	9	6	11	13	10 (4.5)	63
5T9225 5T9425	33	9	6	11	13	11 (5)	63
5T12232 5T12432	45	9	6	15	18	13 (6)	75
5T15240 5T15440	45	9	6	14	18	14 (6.5)	75
5T18248 5T18448	55	13	12	52	62	18 (8)	105

T2T SERIES, 2" TITANIUM SCREW PLUG HEATERS							
Model Number	Length	Width	Height	Dim. Wt. Domestic Air	Dim. Wt. International Air & Ground	Actual Weight LBS./ (kg)	Box Girth
T2T2208 T2T2408	20	9	10	11	13	4 (2)	58
T2T4213 T2T4413	20	9	10	11	13	6 (2.5)	58
T2T6223 T2T6423	33	9	6	11	13	7 (3)	63
T2T8228 T2T8428	33	9	6	11	13	8 (3.5)	63
T2T12238 T2T12438	45	9	6	15	18	10 (4.5)	75

T5T SERIES, 2 1/2" TITANIUM SCREW PLUG HEATERS							
Model Number	Length	Width	Height	Dim. Wt. Domestic Air	Dim. Wt. International Air & Ground	Actual Weight LBS./ (kg)	Box Girth
T5T3208 T5T3408	20	9	10	11	13	5 (2.5)	58
T5T6213 T5T6413	20	9	10	11	13	6 (2.5)	58
T5T9223 T5T9423	33	9	6	11	13	7 (3)	63
T5T12228 T5T12428	33	9	6	11	13	8 (3.5)	63
T5T18238 T5T18438	45	9	6	15	18	13 (6)	75

*****If shipment contains multiple cartons over 130" in girth or a combined actual weight over 200 lbs., LTL freight is recommended. Maximum girth for FedEx International small package shipments is 130".

VST, VXT, TB & HXT Screw Plug Heaters

V*T SERIES, 1/2" VARIPOWER SCREW PLUG HEATERS							
Model Number	Length	Width	Height	Dim. Wt. Domestic Air	Dim. Wt. International Air & Ground	Actual Weight LBS./ (kg)	Box Girth
V*T.1107 V*T.1207	13	6	5	3	3	1 (.5)	35
V*T.2110 V*T.2210	13	6	5	3	3	1 (.5)	35

TB SERIES, 1-1/4" SMALL TANK SCREW PLUG HEATERS							
Model Number	Length	Width	Height	Dim. Wt. Domestic Air	Dim. Wt. International Air & Ground	Actual Weight LBS./ (kg)	Box Girth
*TB.5108 *TB.5208	13	6	5	8	8	8 (3.5)	35
*TB1110 *TB1210	13	6	5	10	10	10 (4.5)	35
*TB1.5114 *TB1.5214	20	9	10	14	14	14 (6.5)	58
*TB2117 *TB2217	20	9	10	17	17	17 (7.5)	58

HXT SERIES, FLUOROPOLYMER (PTFE) SCREW PLUG HEATERS							
Model Number	Length	Width	Height	Dim. Wt. Domestic Air	Dim. Wt. International Air & Ground	Actual Weight LBS./ (kg)	Box Girth
HXT1109 HXT1209	20	9	10	11	13	9 (4)	58
HXT2214 HXT2414	20	9	10	12	12	12 (5.5)	58
HXT3219 HXT3419	24	11	12	20	23	15 (7)	70
HXT4226 HXT4426	33	13	12	32	38	17 (7.5)	83
HXT5230 HXT5430	33	13	12	32	38	20 (9)	83
HXT6234 HXT6434	42	12	12	37	44	23 (10.5)	90

*****If shipment contains multiple cartons over 130" in girth or a combined actual weight over 200 lbs., LTL freight is recommended. Maximum girth for FedEx International small package shipments is 130".

3FLX & 6FLX Flanged Fluoropolymer Heaters

3FLX SERIES, 3" 150# FLANGED FLUOROPOLYMER (PTFE) HEATERS (Single Phase Only)							
Model Number	Length	Width	Height	Dim. Wt. Domestic Air	Dim. Wt. International Air & Ground	Actual Weight LBS./(kg)	Box Girth
3FLX1111- 3FLX1211-*	20	9	10	20	20	20 (9)	58
3FLX2216- 3FLX2416-*	20	9	10	23	23	23 (10.5)	58
3FLX3221- 3FLX3421-*	33	13	12	32	38	26 (12)	83
3FLX4228- 3FLX4428-*	33	13	12	29	38	29 (13)	83
3FLX5232- 3FLX5432-*	42	12	12	37	44	32 (14.5)	90
3FLX6235- 3FLX6435-*	42	12	12	35	44	35 (16)	90

6FLX SERIES, 6" 150# FLANGED FLUOROPOLYMER (PTFE) HEATERS (Three Phase Standard)							
Model Number	Length	Width	Height	Dim. Wt. Domestic Air	Dim. Wt. International Air & Ground	Actual Weight LBS./(kg)	Box Girth
6FLX3211- 6FLX3411-*	33	13	12	42	42	42 (19)	83
6FLX6216- 6FLX6416-*	33	13	12	51	51	51 (23)	83
6FLX9221- 6FLX9421-*	33	13	12	60	60	60 (27)	83
6FLX12228- 6FLX12428-*	44	13	12	66	66	66 (30)	94
6FLX15232- 6FLX15432-*	44	13	12	75	75	75 (34)	94
6FLX18235- 6FLX18435-*	44	13	12	84	84	84 (38)	94

*****If shipment contains multiple cartons over 130" in girth or a combined actual weight over 200 lbs., LTL freight is recommended. Maximum girth for FedEx International small package shipments is 130".

3FLS & 5FLS Flanged Metal Heaters

3FLS SERIES METAL HEATERS, 3" 150 LB. 316 STAINLESS FLANGE (3 ELEMENTS)							
Model Number	Length	Width	Height	Dim. Wt. Domestic Air	Dim. Wt. International Air & Ground	Actual Weight LBS./ (kg)	Box Girth
3FLS3209-* 3FLS3409-*	20	9	10	14	14	14 (6.5)	58
3FLS4.5213-* 3FLS4.5413-*	20	9	10	15	15	15 (7)	58
3FLS6219-* 3FLS6419-*	24	11	12	20	23	16 (7.5)	70
3FLS9226-* 3FLS9426-*	33	13	12	32	38	17 (7.5)	83
3FLS12233-* 3FLS12433-*	42	12	12	37	44	18 (8)	90
3FLS15241-* 3FLS15441-*	48	13	12	46	54	20 (9)	98
3FLS18249-* 3FLS18449-*	55	13	12	52	62	21 (9.5)	105

5FLS SERIES METAL HEATERS, 5" 150 LB. 316 STAINLESS FLANGE (6 ELEMENTS)							
Model Number	Length	Width	Height	Dim. Wt. Domestic Air	Dim. Wt. International Air & Ground	Actual Weight LBS./ (kg)	Box Girth
5FLS6209-* 5FLS6409-*	20	9	10	25	25	25 (11.5)	58
5FLS9213-* 5FLS9413-*	20	9	10	28	28	28 (12.5)	58
5FLS12219-* 5FLS12419-*	33	13	12	30	38	30 (13.5)	83
5FLS18226-* 5FLS18426-*	33	13	12	33	33	33 (15)	83
5FLS24233-* 5FLS24433-*	44	13	12	37	50	37 (17)	94
5FLS30241-* 5FLS30441-*	48	13	12	40	54	40 (18)	98
5FLS36249-* 5FLS36449-*	55	13	12	52	62	43 (19.5)	105

*****If shipment contains multiple cartons over 130" in girth or a combined actual weight over 200 lbs., LTL freight is recommended. Maximum girth for FedEx International small package shipments is 130".

6FLS Flanged Metal Heaters

6FLS SERIES METAL HEATERS, 6" 150 LB. 316 STAINLESS FLANGE (12 ELEMENTS)							
Model Number	Length	Width	Height	Dim. Wt. Domestic Air	Dim. Wt. International Air & Ground	Actual Weight LBS./ (kg)	Box Girth
6FLS12209-* 6FLS12409-*	20	9	10	48	48	48 (22)	58
6FLS18213-* 6FLS18413-*	20	9	10	54	54	54 (24.5)	58
6FLS24219-* 6FLS24419-*	24	11	12	60	60	60 (27)	70
6FLS36226-* 6FLS36426-*	33	13	12	67	67	67 (30.5)	83
6FLS48233-* 6FLS48433-*	42	12	12	76	76	76 (34.5)	90
6FLS60241-* 6FLS60441-*	48	13	12	84	84	84 (38)	98
6FLS72249-* 6FLS72449-*	55	13	12	111	111	111 (50.5)	105

Should consider crating any over 80#

*******If shipment contains multiple cartons over 130" in girth or a combined actual weight over 200 lbs., LTL freight is recommended. Maximum girth for FedEx International small package shipments is 130".**

R Series Quartz Infrared Heating Elements

R SERIES, QUARTZ INFRARED HEATING ELEMENTS, 22" OVERALL LENGTH - 18" HOT ZONE

Model Number	Length	Width	Height	Dim. Wt. Domestic Air	Dim. Wt. International Air & Ground	Actual Weight LBS./(kg)	Box Girth
R5221 R5222	33	13	12	32	34	10 (4.5)	83
R7221 R7222	33	13	12	32	38	10 (4.5)	83
R10221 R10222	33	13	12	32	38	10 (4.5)	83
R12221	33	13	12	32	38	10 (4.5)	83
R15221	33	13	12	32	38	10 (4.5)	83

R SERIES, QUARTZ INFRARED HEATING ELEMENTS, 34" OVERALL LENGTH - 30" HOT ZONE

Model Number	Length	Width	Height	Dim. Wt. Domestic Air	Dim. Wt. International Air & Ground	Actual Weight LBS./(kg)	Box Girth
R5341 R5342	44	13	12	42	50	12 (5.5)	94
R7341 R7342	44	13	12	42	50	12 (5.5)	94
R10341 R10342	44	13	12	42	50	12 (5.5)	94
R12341 R12342	44	13	12	42	50	12 (5.5)	94
R15341 R15342	44	13	12	42	50	12 (5.5)	94
R20341 R20342	44	13	12	42	50	12 (5.5)	94

R SERIES, QUARTZ INFRARED HEATING ELEMENTS, 46" OVERALL LENGTH - 42" HOT ZONE

Model Number	Length	Width	Height	Dim. Wt. Domestic Air	Dim. Wt. International Air & Ground	Actual Weight LBS./(kg)	Box Girth
R5461 R5462	55	13	12	52	62	15 (7)	105
R7461 R7462	55	13	12	52	62	15 (7)	105
R10461 R10462	55	13	12	52	62	15 (7)	105
R12461 R12462	55	13	12	52	62	15 (7)	105
R15461 R15462	55	13	12	52	62	15 (7)	105
R20461 R20462	55	13	12	52	62	15 (7)	105
R25462	55	13	12	52	62	15 (7)	105
R30462	55	13	12	52	62	15 (7)	105

****If shipment contains multiple cartons over 130" in girth or a combined actual weight over 200 lbs., LTL freight is recommended. Maximum girth for FedEx International small package shipments is 130".

R Series Quartz Infrared Heating Elements (cont.)

R SERIES, QUARTZ INFRARED HEATING ELEMENTS, 58" OVERALL LENGTH - 54" HOT ZONE

Model Number	Length	Width	Height	Dim. Wt. Domestic Air	Dim. Wt. International Air & Ground	Actual Weight LBS./(kg)	Box Girth
R5581 R5582	67	13	12	63	76	18 (8)	117
R7581 R7582	67	13	12	63	76	18 (8)	117
R10581 R10582	67	13	12	63	76	18 (8)	117
R12581 R12582	67	13	12	63	76	18 (8)	117
R15581 R15582	67	13	12	63	76	18 (8)	117
R20581 R20582	67	13	12	63	76	18 (8)	117
R25582	67	13	12	63	76	18 (8)	117
R30582	67	13	12	63	76	18 (8)	117

R SERIES, QUARTZ INFRARED HEATING ELEMENTS, 70" OVERALL LENGTH - 66" HOT ZONE

Model Number	Length	Width	Height	Dim. Wt. Domestic Air	Dim. Wt. International Air & Ground	Actual Weight LBS./(kg)	Box Girth
R10701 R10702	80	13	12	76	90	22 (10)	130 *****
R12701 R12702	80	13	12	76	90	22 (10)	130 *****
R15701 R15702	80	13	12	76	90	22 (10)	130 *****
R20701 R20702	80	13	12	76	90	22 (10)	130 *****
R25702	80	13	12	76	90	22 (10)	130 *****
R30702	80	13	12	76	90	22 (10)	130 *****
R35702	80	13	12	76	90	22 (10)	130 *****
R40702	80	13	12	76	90	22 (10)	130 *****

*****If shipment contains multiple cartons over 130" in girth or a combined actual weight over 200 lbs., LTL freight is recommended. Maximum girth for FedEx International small package shipments is 130".

Grid Coils

G SERIES, METAL HEATING AND COOLING COILS, 12-1/2" WIDTH (8 tubes)								
Model Number	Length	Width	Height	Dim. Wt. Domestic Air	Dim. Wt. International Air & Ground	Actual Weight LBS./(kg)	Add'l Shipping Charges	Box Girth
*8G-24**	30	7	25	32	38	12 (5.5)		94
*8G-30**	40	7	25	43	51	14 (6.5)		104
*8G-36**	40	7	25	43	51	16 (7.5)		104
*8G-48**	49	4	37	90	90	18 (8)	\$50	131 *****
*8G-60**	62	6	37	90	90	23 (10.5)	\$50	148 *****
*8G-72**	74	6	37	90	90	28 (12.5)	\$50	160 *****
*8G-84**	86	6	37	116	138	31 (14)	Too large for UPS	172 *****
*8G-96**	97	6	37	130	155	34 (15.5)	Too large for UPS	183 *****
*8G-108**	110	14	25	232	277	38 (17)	Too large for UPS	188 *****
*8G-120**	124	14	25	262	313	41 (18.5)	Too large for UPS	202 *****
*8G-132**	134	14	25	283	338	46 (21)	Too large for UPS	212 *****
*8G-144**	150	14	25	317	378	49 (22)	Too large for UPS	228 *****

G SERIES, METAL HEATING AND COOLING COILS, 18-1/2" WIDTH (12 tubes)								
Model Number	Length	Width	Height	Dim. Wt. Domestic Air	Dim. Wt. International Air & Ground	Actual Weight LBS./(kg)	Add'l Shipping Charges	Box Girth
*12G-24**	40	7	25	43	51	15 (7)		104
*12G-30**	40	7	32	54	65	18 (8)		118
*12G-36**	49	4	37	90	90	21 (9.5)	\$50	131 *****
*12G-48**	49	4	37	90	90	26 (12)	\$50	131 *****
*12G-60**	62	6	37	90	90	32 (14.5)	\$50	148 *****
*12G-72**	74	6	37	90	90	37 (17)	\$50	160 *****
*12G-84**	86	6	37	116	138	42 (19)	Too large for UPS	172 *****
*12G-96**	97	6	37	130	155	47 (21.5)	Too large for UPS	183 *****
*12G-108**	110	14	32	297	355	53 (24)	Too large for UPS	202 *****
*12G-120**	124	14	32	335	400	58 (26.5)	Too large for UPS	216 *****
*12G-132**	134	14	32	362	432	64 (29)	Too large for UPS	226 *****
*12G-144**	150	14	32	405	484	69 (31.5)	Too large for UPS	242 *****

*****If shipment contains multiple cartons over 130" in girth or a combined actual weight over 200 lbs., LTL freight is recommended. Maximum girth for FedEx International small package shipments is 130".

TOO LARGE FOR UPS

Grid Coils (cont.)

G SERIES, METAL HEATING AND COOLING COILS, 24-1/2" WIDTH (16 tubes)								
Model Number	Length	Width	Height	Dim. Wt. Domestic Air	Dim. Wt. International Air & Ground	Actual Weight LBS./(kg)	Add'l Shipping Charges	Box Girth
*16G-24**	40	7	25	43	51	19 (8.5)		104
*16G-30**	49	5	37	90	90	23 (10.5)	\$50	133 *****
*16G-36**	49	5	37	90	90	28 (12.5)	\$50	133 *****
*16G-48**	49	5	37	90	90	33 (15)	\$50	133 *****
*16G-60**	62	6	37	90	90	40 (18)	\$50	148 *****
*16G-72**	74	6	37	99	119	47 (21.5)	Too large for UPS	160 *****
*16G-84**	86	6	37	116	138	54 (24.5)	Too large for UPS	172 *****
*16G-96**	97	6	37	130	155	61 (27.5)	Too large for UPS	183 *****
*16G-108**	110	14	37	344	410	69 (31.5)	Too large for UPS	212 *****
*16G-120**	124	14	37	387	463	76 (34.5)	Too large for UPS	226 *****
*16G-132**	134	14	37	419	500	82 (37)	Too large for UPS	236 *****
*16G-144**	150	14	37	469	559	88 (40)	Too large for UPS	252 *****

G SERIES, METAL HEATING AND COOLING COILS, 30-1/2" WIDTH (20 tubes)								
Model Number	Length	Width	Height	Dim. Wt. Domestic Air	Dim. Wt. International Air & Ground	Actual Weight LBS./(kg)	Add'l Shipping Charges	Box Girth
*20G-24**	49	5	37	90	90	22 (10)	\$50	133 *****
*20G-30**	49	5	37	90	90	28 (12.5)	\$50	133 *****
*20G-36**	49	5	37	90	90	33 (15)	\$50	133 *****
*20G-48**	49	6	44	90	90	40 (18)	\$50	149 *****
*20G-60**	62	6	44	90	90	48 (22)	\$50	162 *****
*20G-72**	74	6	44	118	141	58 (26.5)	Too large for UPS	174 *****
*20G-84**	86	6	44	137	164	68 (31)	Too large for UPS	186 *****
*20G-96**	97	6	44	155	185	75 (34)	Too large for UPS	197 *****
*20G-108**	110	14	44	409	488	83 (37.5)	Too large for UPS	226 *****
*20G-120**	124	14	44	461	550	92 (41.5)	Too large for UPS	240 *****
*20G-132**	134	14	44	498	594	100 (45.5)	Too large for UPS	250 *****
*20G-144**	150	14	44	557	665	109 (49.5)	Too large for UPS	266 *****

*****If shipment contains multiple cartons over 130" in girth or a combined actual weight over 200 lbs., LTL freight is recommended. Maximum girth for FedEx International small package shipments is 130".

TOO LARGE FOR UPS

Grid Coils (cont.)

G SERIES, METAL HEATING AND COOLING COILS, 36-1/2" WIDTH (24 tubes)								
Model Number	Length	Width	Height	Dim. Wt. Domestic Air	Dim. Wt. International Air & Ground	Actual Weight LBS./(kg)	Add'l Shipping Charges	Box Girth
*24G-24**	55	14	25	116	139	28 (12.5)	\$50	133 *****
*24G-30**	55	14	31	144	172	31 (14)	\$50	145 *****
*24G-36**	55	14	37	172	205	38 (17)	\$50	157 *****
*24G-48**	55	14	49	228	272	48 (22)	Too large for UPS	181 *****
*24G-60**	62	14	49	257	306	57 (26)	Too large for UPS	188 *****
*24G-72**	80	14	49	331	395	68 (31)	Too large for UPS	206 *****
*24G-84**	88	14	49	364	435	79 (36)	Too large for UPS	214 *****
*24G-96**	97	14	49	401	479	89 (40.5)	Too large for UPS	223 *****
*24G-108**	110	14	49	455	543	99 (45)	Too large for UPS	236 *****
*24G-120**	124	14	49	513	612	109 (49.5)	Too large for UPS	250 *****
*24G-132**	134	14	49	554	662	119 (54)	Too large for UPS	260 *****
*24G-144**	150	14	49	620	741	129 (58.5)	Too large for UPS	276 *****

G SERIES, METAL HEATING AND COOLING COILS, 42-1/2" WIDTH (28 tubes)								
Model Number	Length	Width	Height	Dim. Wt. Domestic Air	Dim. Wt. International Air & Ground	Actual Weight LBS./(kg)	Add'l Shipping Charges	Box Girth
*28G-24**	55	14	25	116	139	32 (14.5)	\$50	133 *****
*28G-30**	55	14	31	144	172	38 (17)	\$50	145 *****
*28G-36**	55	14	37	172	205	45 (20.5)	\$50	157 *****
*28G-48**	55	14	49	228	272	56 (25.5)	Too large for UPS	181 *****
*28G-60**	62	14	55	288	344	57 (26)	Too large for UPS	200 *****
*28G-72**	80	14	55	372	444	80 (36.5)	Too large for UPS	218 *****
*28G-84**	88	14	55	409	488	92 (41.5)	Too large for UPS	226 *****
*28G-96**	97	14	55	450	538	103 (46.5)	Too large for UPS	235 *****
*28G-108**	110	14	55	511	610	115 (52)	Too large for UPS	248 *****
*28G-120**	124	14	55	576	687	126 (57)	Too large for UPS	262 *****
*28G-132**	134	14	55	622	743	140 (63.5)	Too large for UPS	272 *****
*28G-144**	150	14	55	696	831	150 (68)	Too large for UPS	288 *****

*****If shipment contains multiple cartons over 130" in girth or a combined actual weight over 200 lbs., LTL freight is recommended. Maximum girth for FedEx International small package shipments is 130".

TOO LARGE FOR UPS

Serpentine Coils

SP4 SERIES, COILS (coil depth 36")								
Model Number	Length	Width	Height	Dim. Wt. Domestic Air	Dim. Wt. International Air & Ground	Actual Weight LBS./(kg)	Add'l Shipping Charges	Box Girth
SP4-24	30	7	25	32	38	10 (4.5)		94
SP4-36	49	5	36	90	90	12 (5.5)	\$50	131 *****
SP4-48	49	5	36	90	90	14 (6.5)	\$50	131 *****
SP4-60	62	6	36	90	90	16 (7.5)	\$50	146 *****
SP4-78	96	6	36	125	150	24 (11)	Too large for UPS	180 *****
SP4-96	110	13	36	311	371	34 (15.5)	Too large for UPS	208 *****

SP6 SERIES, COILS (coil depth 48")								
Model Number	Length	Width	Height	Dim. Wt. Domestic Air	Dim. Wt. International Air & Ground	Actual Weight LBS./(kg)	Add'l Shipping Charges	Box Girth
SP6-20	49	5	36	90	90	12 (5.5)	\$50	131 *****
SP6-30	49	5	36	90	90	14 (6.5)	\$50	131 *****
SP6-40	49	6	44	90	90	17 (7.5)	\$50	149 *****
SP6-50	60	6	49	107	127	20 (9)	Too large for UPS	170 *****
SP6-60	62	6	49	110	132	24 (11)	Too large for UPS	172 *****
SP6-70	72	6	49	128	153	27 (12)	Too large for UPS	182 *****

*****If shipment contains multiple cartons over 130" in girth or a combined actual weight over 200 lbs., LTL freight is recommended. Maximum girth for FedEx International small package shipments is 130".

TOO LARGE FOR UPS

U Coils

UC SERIES, 12" COIL WIDTH							
Model Number	Length	Width	Height	Dim. Wt. Domestic Air	Dim. Wt. International Air & Ground	Actual Weight LBS./(kg)	Box Girth
UC-18	20	9	10	11	13	3 (1.5)	58
UC-24	25	11	12	20	24	4 (2)	71
UC-30	33	13	12	32	38	5 (2.5)	83
UC-36	42	12	12	37	44	6 (2.5)	90
UC-42	44	13	12	42	50	7 (3)	94
UC-48	55	13	12	52	62	8 (3.5)	105
UC-54	55	13	12	52	62	9 (4)	105
UC-60	62	13	12	59	70	10 (4.5)	112

*******If shipment contains multiple cartons over 130" in girth or a combined actual weight over 200 lbs., LTL freight is recommended. Maximum girth for FedEx International small package shipments is 130".**

X Fluoropolymer Heat Exchangers

X SERIES, FLUOROPOLYMER HEAT EXCHANGERS							
Model Number	Length	Width	Height	Dim. Wt. Domestic Air	Dim. Wt. International Air & Ground	Actual Weight LBS./(kg)	Box Girth
X1-12-12-18-F	33	13	12	32	38	10 (4.5)	83
X2-12-12-18-F	33	13	12	32	38	11 (5)	83
X2-16-16-22-F	33	14	24	67	80	13 (6)	109
X4-16-16-22-F	33	14	24	67	80	14 (6.5)	109
X2-18-18-24-F-LP	33	14	24	67	80	18 (8)	109
X4-18-18-24-F-LP	33	14	24	67	80	22 (10)	109
X6-18-18-24-F-LP	33	14	24	67	80	26 (12)	109
X8-18-18-24-F-LP	33	14	24	67	80	30 (13.5)	109
X2-24-24-30-F-LP	42	13	26	86	103	24 (11)	120
X4-24-24-30-F-LP	42	13	26	86	103	30 (13.5)	120
X6-24-24-30-F-LP	42	13	26	86	103	36 (16.5)	120
X8-24-24-30-F-LP	42	13	26	86	103	42 (19)	120

*******If shipment contains multiple cartons over 130" in girth or a combined actual weight over 200 lbs., LTL freight is recommended. Maximum girth for FedEx International small package shipments is 130".**

Thermax Heat Exchangers

THERMAX² SERIES, 316 STAINLESS HEAT EXCHANGERS							
Model Number	Length	Width	Height	Dim. Wt. Domestic Air	Dim. Wt. International Air & Ground	Actual Weight LBS./ (kg)	Box Girth
IS1.1-2.75-6.25	20	9	10	11	13	5 (2.5)	58
IS2.5-2.75-10.25	20	9	10	11	13	7 (3)	58
IS3.8-2.75-14.25	20	9	10	11	13	10 (4.5)	58
IS3.8-3.75-10.75	20	9	10	15	15	15 (7)	58
IS5.8-3.75-15.5	20	9	10	20	20	20 (9)	58
IS7.8-3.75-20.25	24	11	12	24	24	24 (11)	70
IS15-4.75-20.25	24	11	12	30	30	30 (13.5)	70

*****If shipment contains multiple cartons over 130" in girth or a combined actual weight over 200 lbs., LTL freight is recommended. Maximum girth for FedEx International small package shipments is 130".

Brass Solenoid Valves

S SERIES, BRASS SOLENOID VALVES (Water Service)							
Model Number	Length	Width	Height	Dim. Wt. Domestic Air	Dim. Wt. International Air & Ground	Actual Weight LBS./ (kg)	Box Girth
S-5-W	10	10	7	5	6	3 (1.5)	44
S-3-W	10	10	7	5	6	4 (2)	44
S-1-W	10	10	10	7	8	6 (2.5)	50
S-1-1/4-W	10	10	10	8	8	8 (3.5)	50
S-1-1/2-W	10	10	10	10	10	10 (4.5)	50
S-2-W	10	10	10	12	12	12 (5.5)	50

S SERIES, BRASS SOLENOID VALVES (Steam Service)							
Model Number	Length	Width	Height	Dim. Wt. Domestic Air	Dim. Wt. International Air & Ground	Actual Weight LBS./ (kg)	Box Girth
S-5-S	10	10	7	5	6	3 (1.5)	44
S-3-S	10	10	7	5	6	4 (2)	44
S-1-S	10	10	10	7	8	6 (2.5)	50
S-1-1/4-S	10	10	10	8	8	8 (3.5)	50
S-1-1/2-S	10	10	10	10	10	10 (4.5)	50
S-2-S	10	10	10	12	12	12 (5.5)	50

*****If shipment contains multiple cartons over 130" in girth or a combined actual weight over 200 lbs., LTL freight is recommended. Maximum girth for FedEx International small package shipments is 130".

ST Strainers, IX Insulators & VB Vacuum Breakers

ST SERIES, STRAINERS							
Model Number	Length	Width	Height	Dim. Wt. Domestic Air	Dim. Wt. International Air & Ground	Actual Weight LBS./ (kg)	Box Girth
ST5	10	10	7	5	6	2 (1)	44
ST3	10	10	7	5	6	2 (1)	44
ST1	10	10	7	5	6	3 (1.5)	44
ST1-1/4	10	10	7	5	6	4 (2)	44
ST1-1/2	10	10	7	6	6	6 (2.5)	44
ST2	10	10	7	7	7	7 (3)	44
ST2-1/2	10	10	7	9	9	9 (4)	44

IX SERIES, COIL INSULATORS/ISOLATORS							
Model Number	Length	Width	Height	Dim. Wt. Domestic Air	Dim. Wt. International Air & Ground	Actual Weight LBS./ (kg)	Box Girth
IX-5	10	10	7	5	6	1 (.5)	44
IX-3	10	10	7	5	6	1 (.5)	44
IX-1	10	10	7	5	6	1 (.5)	44
IX-1-1/4	10	10	7	5	6	1 (.5)	44
IX-1-1/2	10	10	7	5	6	1 (.5)	44
IX-2	10	10	7	5	6	1 (.5)	44

VB SERIES, VACUUM BREAKERS							
Model Number	Length	Width	Height	Dim. Wt. Domestic Air	Dim. Wt. International Air & Ground	Actual Weight LBS./ (kg)	Box Girth
VB-5	12	8	1	2	2	2 (1)	30

*****If shipment contains multiple cartons over 130" in girth or a combined actual weight over 200 lbs., LTL freight is recommended. Maximum girth for FedEx International small package shipments is 130".

NR Thermostats and Combination Controls

NR SERIES, NON-INDICATING THERMOSTATS SINGLE PHASE							
Model Number	Length	Width	Height	Dim. Wt. Domestic Air	Dim. Wt. International Air & Ground	Actual Weight LBS./ (kg)	Box Girth
NR25	10	10	10	7	8	3 (1.5)	50
NR25-12	10	10	10	7	8	3 (1.5)	50
NR25H	10	10	10	7	8	3 (1.5)	50

NR SERIES, NON-INDICATING COMBINATION CONTROLS							
Model Number	Length	Width	Height	Dim. Wt. Domestic Air	Dim. Wt. International Air & Ground	Actual Weight LBS./ (kg)	Box Girth
NR302	21	17	12	26	31	15 (7)	79
NR304	21	17	12	26	31	15 (7)	79
NR502	21	17	12	26	31	16 (7.5)	79
NR504	21	17	12	26	31	16 (7.5)	79
NR752	21	17	12	26	31	22 (10)	79
NR754	21	17	12	26	31	22 (10)	79
NR902	21	17	12	24	31	24 (11)	79
NR904	21	17	12	24	31	24 (11)	79
NR1202	21	17	12	26	31	26 (12)	79
NR1204	21	17	12	26	31	26 (12)	79
NR1502	21	17	12	32	32	32 (14.5)	79
NR1504	21	17	12	32	32	32 (14.5)	79

*******If shipment contains multiple cartons over 130" in girth or a combined actual weight over 200 lbs., LTL freight is recommended. Maximum girth for FedEx International small package shipments is 130".**

DE Digital Thermostats and Combination Controls

DE SERIES, 1/8 DIN DIGITAL THERMOSTATS							
Model Number	Length	Width	Height	Dim. Wt. Domestic Air	Dim. Wt. International Air & Ground	Actual Weight LBS./(kg)	Box Girth
DE20	10	10	7	5	6	3 (1.5)	44
DE20-1-PB	21	17	12	26	31	12 (5.5)	79

DE SERIES, DIGITAL COMBINATION CONTROLS							
Model Number	Length	Width	Height	Dim. Wt. Domestic Air	Dim. Wt. International Air & Ground	Actual Weight LBS./(kg)	Box Girth
DE302	21	17	12	26	31	16 (7.5)	79
DE304	21	17	12	26	31	16 (7.5)	79
DE502	21	17	12	26	31	17 (7.5)	79
DE504	21	17	12	26	31	17 (7.5)	79
DE752	21	17	12	26	31	23 (10.5)	79
DE754	21	17	12	26	31	23 (10.5)	79
DE902	21	17	12	25	31	25 (11.5)	79
DE904	21	17	12	25	31	25 (11.5)	79
DE1202	21	17	12	27	27	27 (12)	79
DE1204	21	17	12	27	27	27 (12)	79
DE1502	21	17	12	33	33	33 (15)	79
DE1504	21	17	12	33	33	33 (15)	79

*******If shipment contains multiple cartons over 130" in girth or a combined actual weight over 200 lbs., LTL freight is recommended. Maximum girth for FedEx International small package shipments is 130".**

DQ Digital Thermostats and Combination Controls

DQ SERIES, 1/4 DIN DIGITAL THERMOSTATS							
Model Number	Length	Width	Height	Dim. Wt. Domestic Air	Dim. Wt. International Air & Ground	Actual Weight LBS./(kg)	Box Girth
DQ15D	10	10	10	7	8	3 (1.5)	50
DQ15D-1-PB	21	17	12	26	31	12 (5.5)	79

DQ SERIES, DIGITAL COMBINATION CONTROLS							
Model Number	Length	Width	Height	Dim. Wt. Domestic Air	Dim. Wt. International Air & Ground	Actual Weight LBS./(kg)	Box Girth
DQ302	21	17	12	26	31	16 (7.5)	79
DQ304	21	17	12	26	31	16 (7.5)	79
DQ502	21	17	12	26	31	17 (7.5)	79
DQ504	21	17	12	26	31	17 (7.5)	79
DQ752	21	17	12	26	31	23 (10.5)	79
DQ754	21	17	12	26	31	23 (10.5)	79
DQ902	21	17	12	25	31	25 (11.5)	79
DQ904	21	17	12	25	31	25 (11.5)	79
DQ1202	21	17	12	27	27	27 (12)	79
DQ1204	21	17	12	27	27	27 (12)	79
DQ1502	21	17	12	33	33	33 (15)	79
DQ1504	21	17	12	33	33	33 (15)	79

*****If shipment contains multiple cartons over 130" in girth or a combined actual weight over 200 lbs., LTL freight is recommended. Maximum girth for FedEx International small package shipments is 130".

DSL Digital Thermostats and Combination Controls

DSL SERIES, 1/16 DIN DIGITAL THERMOSTATS							
Model Number	Length	Width	Height	Dim. Wt. Domestic Air	Dim. Wt. International Air & Ground	Actual Weight LBS./ (kg)	Box Girth
DSL	10	10	7	5	6	2 (1)	44
DSL-1-PB	21	17	12	26	31	12 (5.5)	79

DSL SERIES, DIGITAL COMBINATION CONTROLS							
Model Number	Length	Width	Height	Dim. Wt. Domestic Air	Dim. Wt. International Air & Ground	Actual Weight LBS./ (kg)	Box Girth
DSL302	21	17	12	26	31	16 (7.5)	79
DSL304	21	17	12	26	31	16 (7.5)	79
DSL502	21	17	12	26	31	17 (7.5)	79
DSL504	21	17	12	26	31	17 (7.5)	79
DSL752	21	17	12	26	31	23 (10.5)	79
DSL754	21	17	12	26	31	23 (10.5)	79
DSL902	21	17	12	25	31	25 (11.5)	79
DSL904	21	17	12	25	31	25 (11.5)	79
DSL1202	21	17	12	27	27	27 (12)	79
DSL1204	21	17	12	27	27	27 (12)	79
DSL1502	21	17	12	33	33	33 (15)	79
DSL1504	21	17	12	33	33	33 (15)	79

*****If shipment contains multiple cartons over 130" in girth or a combined actual weight over 200 lbs., LTL freight is recommended. Maximum girth for FedEx International small package shipments is 130".

DLC Digital Thermostats and Combination Controls

DLC SERIES, DIGITAL THERMOSTATS							
Model Number	Length	Width	Height	Dim. Wt. Domestic Air	Dim. Wt. International Air & Ground	Actual Weight LBS./(kg)	Box Girth
DLC16-1	10	10	10	7	8	3 (1.5)	50
DLC16-2	10	10	10	7	8	3 (1.5)	50
DLC16-1-PB	10	10	10	7	8	3 (1.5)	50
DLC16-2-PB	10	10	10	7	8	3 (1.5)	50

DLC SERIES, DIGITAL COMBINATION CONTROLS							
Model Number	Length	Width	Height	Dim. Wt. Domestic Air	Dim. Wt. International Air & Ground	Actual Weight LBS./(kg)	Box Girth
DLC302	21	17	12	26	31	16 (7.5)	79
DLC304	21	17	12	26	31	16 (7.5)	79
DLC502	21	17	12	26	31	17 (7.5)	79
DLC504	21	17	12	26	31	17 (7.5)	79
DLC752	21	17	12	26	31	23 (10.5)	79
DLC754	21	17	12	26	31	23 (10.5)	79
DLC902	21	17	12	25	31	25 (11.5)	79
DLC904	21	17	12	25	31	25 (11.5)	79
DLC1202	21	17	12	27	27	27 (12)	79
DLC1204	21	17	12	27	27	27 (12)	79
DLC1502	21	17	12	33	33	33 (15)	79
DLC1504	21	17	12	33	33	33 (15)	79

*****If shipment contains multiple cartons over 130" in girth or a combined actual weight over 200 lbs., LTL freight is recommended. Maximum girth for FedEx International small package shipments is 130".

LC & ESP Liquid Level Controls

LC SERIES, CONDUCTIVITY TYPE REMOTE LIQUID LEVEL CONTROL							
Model Number	Length	Width	Height	Dim. Wt. Domestic Air	Dim. Wt. International Air & Ground	Actual Weight LBS./(kg)	Box Girth
LC3(*) 6	20	9	10	11	13	5 (2.5)	58
LC3(*) 12	20	9	10	11	13	5 (2.5)	58
LC3(*) 18	24	11	12	20	23	6 (2.5)	70
LC3(*) 24	33	13	12	32	38	7 (3)	83
LC3(*) 30	42	12	12	37	44	8 (3.5)	90
LC3(*) 36	42	12	12	37	44	9 (4)	90
LC3(*) 48	55	13	12	52	62	11 (5)	105

REPLACEMENT PROBE ASSEMBLIES							
Model Number	Length	Width	Height	Dim. Wt. Domestic Air	Dim. Wt. International Air & Ground	Actual Weight LBS./(kg)	Box Girth
3(*) 6	13	6	5	3	3	3 (1.5)	35
3(*) 12	20	9	10	11	13	6 (2.5)	58
3(*) 18	33	9	6	11	13	4 (2)	63
3(*) 24	33	9	6	11	13	6 (2.5)	63
3(*) 30	45	9	6	15	18	7 (3)	75
3(*) 36	45	9	6	15	18	8 (3.5)	75
3(*) 48	55	13	12	52	62	9 (4)	105

ESP SERIES, CAPACITIVE TYPE LIQUID LEVEL CONTROLS							
Model Number	Length	Width	Height	Dim. Wt. Domestic Air	Dim. Wt. International Air & Ground	Actual Weight LBS./(kg)	Box Girth
ESP	10	10	7	5	6	1 (.5)	44

*****If shipment contains multiple cartons over 130" in girth or a combined actual weight over 200 lbs., LTL freight is recommended. Maximum girth for FedEx International small package shipments is 130".

DTS Series, AHM Series & W Series

DTS SERIES, DIGITAL TIMERS							
Model Number	Length	Width	Height	Dim. Wt. Domestic Air	Dim. Wt. International Air & Ground	Actual Weight LBS./(kg)	Box Girth
DTS-1	13	6	5	3	3	1 (.5)	35
DTS-1-PB	13	6	5	3	3	1 (.5)	35

AHM SERIES, AMP-HOUR METER (pg C21)							
Model Number	Length	Width	Height	Dim. Wt. Domestic Air	Dim. Wt. International Air & Ground	Actual Weight LBS./(kg)	Box Girth
AHM	10	10	10	7	8	3 (1.5)	50

W SERIES, OVER THE SIDE THERMOWELLS (pg C19)							
Model Number	Length	Width	Height	Dim. Wt. Domestic Air	Dim. Wt. International Air & Ground	Actual Weight LBS./(kg)	Box Girth
W(*)12	13	6	5	3	3	2 (1)	35
W(*)24	33	9	6	11	13	2 (1)	63
W(*)36	45	9	6	15	18	2 (1)	75

W SERIES, THERMOWELLS WITH 1/2" NPT FITTING (pg C19)							
Model Number	Length	Width	Height	Dim. Wt. Domestic Air	Dim. Wt. International Air & Ground	Actual Weight LBS./(kg)	Box Girth
W(*)T12	13	6	5	3	3	2 (1)	35
W(*)T24	33	9	6	11	13	2 (1)	63
W(*)T36	45	9	6	15	18	2 (1)	75

*****If shipment contains multiple cartons over 130" in girth or a combined actual weight over 200 lbs., LTL freight is recommended. Maximum girth for FedEx International small package shipments is 130".

SD Series Conduit & Fittings

SD SERIES, PVC CONDUIT							
Model Number	Length	Width	Height	Dim. Wt. Domestic Air	Dim. Wt. International Air & Ground	Actual Weight LBS./(kg)	Box Girth
SD 3/8	12	14	8	9	9	5 (2.5)	56
SD 1/2	20	20	6	15	15	7 (3)	72
SD 3/4	20	20	6	15	18	10 (4.5)	72
SD 1	25	25	8	31	36	14 (6.5)	91
SD1-1/4	25	25	8	31	36	19 (8.5)	91
SD 1-1/2	25	25	8	31	36	23 (10.5)	91
SD 2	25	25	8	28	36	28 (12.5)	91

SD SERIES STRAIGHT FITTINGS (pg C17)							
Model Number	Length	Width	Height	Dim. Wt. Domestic Air	Dim. Wt. International Air & Ground	Actual Weight LBS./(kg)	Box Girth
SD 3/8-S	10	10	7	5	6	2 (1)	44
SD 1/2-S	10	10	7	5	6	2 (1)	44
SD 3/4-S	10	10	7	5	6	2 (1)	44
SD-1-S	10	10	7	5	6	2 (1)	44
SD 1-1/4-S	10	10	7	5	6	2 (1)	44
SD 1-1/2-S	10	10	7	5	6	2 (1)	44
SD 2-S	10	10	7	5	6	2 (1)	44

SD SERIES, 90° ELBOW FITTINGS (pg C17)							
Model Number	Length	Width	Height	Dim. Wt. Domestic Air	Dim. Wt. International Air & Ground	Actual Weight LBS./(kg)	Box Girth
SD 3/8-EL	10	10	7	5	6	2 (1)	44
SD 1/2-EL	10	10	7	5	6	2 (1)	44
SD 3/4-EL	10	10	7	5	6	2 (1)	44
SD-1-EL	10	10	7	5	6	2 (1)	44
SD 1-1/4-EL	10	10	7	5	6	2 (1)	44
SD 1-1/2-EL	10	10	7	5	6	2 (1)	44
SD 2-EL	10	10	7	5	6	2 (1)	44

*****If shipment contains multiple cartons over 130" in girth or a combined actual weight over 200 lbs., LTL freight is recommended. Maximum girth for FedEx International small package shipments is 130".

Appendix

UPS Information Regarding Dimensional Weight

If your package has a large size-to-weight ratio, you may need to consider your package's dimensional weight when you calculate your shipping rates.

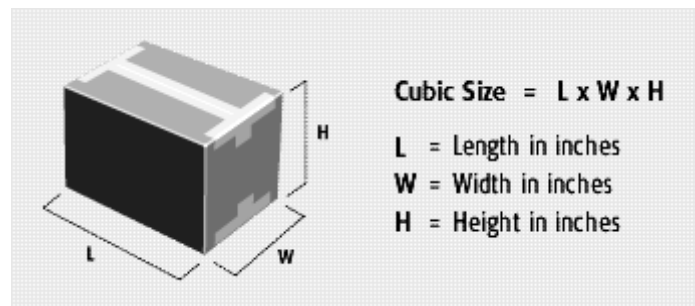
Learn about Dimensional Weight

Determining which weight to use in calculating your rate requires that you determine which rule applies. Different rules apply depending on the service selected. Dimensional weight considers density, which is the amount of space a package occupies in relation to its actual weight, to determine billable weight. Calculations of dimensional weight are based on the International Air Transport Association (IATA) volumetric standards (subject to change without notice).

Packages that exceed UPS weight and size limits are not accepted for transportation. If found in the UPS system, they are subject to an Over Maximum Limits charge.

How To Measure the Cubic Size of Your Package

Calculate the cubic size of your package by multiplying the height in inches or centimeters, by the length in inches or centimeters, by the width in inches or centimeters. Round each measurement to the nearest whole inch or centimeter. The resulting total is the cubic size of your package.



Calculating Dimensional Weight for Domestic Shipments

If you have more than one package to be shipped, consider each package a separate shipment for weight calculation purposes:

Determine the Actual Weight: Use any standard scale and round up any fraction of a pound to the next full pound.

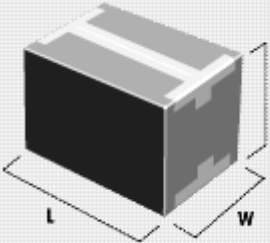
Determine Dimensional Weight:

For UPS Ground Shipments: If the cubic size of the package is 5,184 cubic inches or larger, divide the cubic size by 166 to determine dimensional weight in pounds. If the cubic size is less than 5,184 cubic inches, use the actual weight of the package.

For UPS Air Shipments: Divide the cubic size by 166 to determine dimensional weight in pounds. Round up any fraction of a pound to the next full pound.

Determine Billable Weight: Compare each package's actual weight to its dimensional weight. The larger of the two weights is the billable weight and should be used to calculate the rate.

Appendix (cont.)


$$\text{Dimensional Weight} = \frac{L \times W \times H}{166}$$

L = Length in inches
W = Width in inches
H = Height in inches

If you have a multiple-package shipment, add the cubic sizes for all of the packages together. The total is the cubic size of your shipment.

Large Package Conditions

Your UPS domestic or UPS Standard to Canada package is considered a Large Package when its length, combined with twice the width plus twice the height, exceeds 130 inches and is equal to or less than 165 inches. Large Packages are subject to a minimum billable weight of 90 pounds. To determine the rate for single-package shipments with a dimensional weight of 150 pounds or more, multiply the package weight by the price per pound multiplier.

Large Package Surcharge

A Large Package Surcharge of US\$50 will be applied to all UPS domestic packages, including Hundredweight and Standard to Canada packages, when the size of the package exceeds 130 inches (330 cm) in length and girth combined.

Calculating Dimensional Weight for International Shipments

Use dimensional weight as the billable weight when the dimensional weight of your packages exceeds their actual weight, for your international shipments using these services: UPS Worldwide Express PlusSM, UPS Worldwide ExpressSM, UPS Worldwide SaverSM, UPS Worldwide ExpeditedSM, UPS 3 Day SelectSM from Canada, UPS Standard from Canada, or UPS Standard to Canada, follow these guidelines to determine your shipping rate:

Determine Actual Weight: Use any standard scale and round up any fraction of a pound to the next full pound.

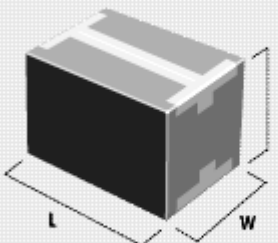
Determine Dimensional Weight:

For UPS Worldwide Express, UPS Worldwide Saver, and UPS Worldwide Expedited shipments: Divide the cubic size by 139 if measured in inches, or by 5,000 if measured in centimeters, to determine the dimensional weight. To convert metric measurements into pounds, multiply the result by 2.20462. Increase any fraction to the next pound.

For UPS Standard from Canada shipments: Divide the cubic size by 166 if measured in inches, or by 6,000 if measured in centimeters, to determine the dimensional weight. To convert metric measurements into pounds, multiply the result by 2.20462. Increase any fraction to the next pound.

For UPS Standard to Canada shipments: If the cubic size of the package is 5,184 cubic inches (84,951 cubic centimeters) or greater, divide the cubic size by 166 if measured in inches or by 6,000 if measured in centimeters, to determine the dimensional weight. To convert metric measurements into pounds, multiply the result by 2.20462. Round up any fraction to the next full pound. If the cubic size is less than 5,184, use the actual weight of the package.

Determine Billable Weight: Compare each package's/shipment's actual weight to its dimensional weight. The larger of the two weights is the billable weight and should be used to calculate the rate.


$$\left[\begin{array}{l} \text{Dimensional Weight} \\ \text{in Pounds} \end{array} \right] = \frac{L \times W \times H}{139}$$

L = Length in inches
W = Width in inches
H = Height in inches

$$\left[\begin{array}{l} \text{Dimensional Weight} \\ \text{in Kilograms} \end{array} \right] = \frac{L \times W \times H}{5,000}$$

L = Length in centimeters
W = Width in centimeters
H = Height in centimeters