



# SHB and SHC

*Safely heat process solvents and acids through indirect contact instead of direct immersion.*

## Inline Chemical Heater

The SHB and SHC Series systems are electric inline heaters designed to safely heat process chemistries through indirect contact instead of direct immersion. These heaters deliver superior temperature stability with changes in flow, and offer multiple temperature sensors to ensure safe operation.

### APPLICATIONS FOR ACIDS AND CHEMICAL HEATING INCLUDE, BUT ARE NOT LIMITED TO:

- EKC265    • EKC830    • ST28    • HCl\*
- EKC270    • ACT690C    • ST26    • HF\*
- NMP    • MEK    • IPA    • HNO<sub>3</sub>\*
- H<sub>2</sub>SO<sub>4</sub>    • H<sub>3</sub>PO<sub>4</sub>\*    (\*SHC models only)

### SPECIFICATIONS:

**Service:** Inline electropolished stainless steel or fluoropolymer heater for heating chemistries, single pass or recirculating.

**Construction:** 316 electropolished stainless steel or PTFE wetted surfaces, fluid pathway through a stainless steel tube embedded in aluminum heating block.

**Temperature Range:** Up to 180°C (356°F)

**Fluid Connections:** 1/8" (3mm), 1/4" (6mm), 3/8" (9mm) or 1/2" (12mm); custom connections available.

**Available Heater Voltages:** 120-480V, single phase

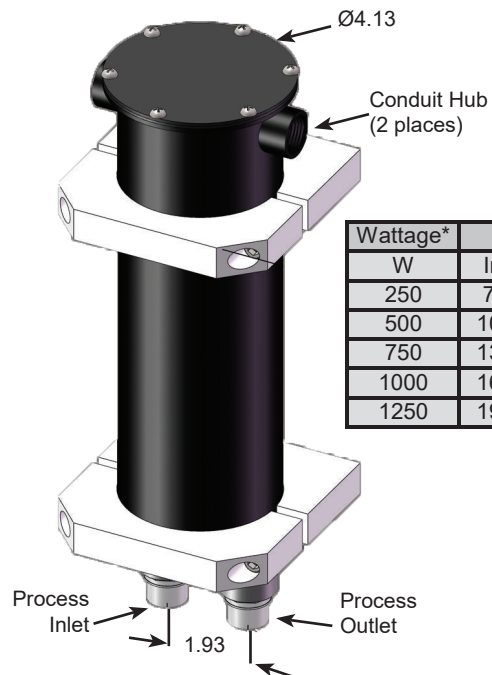
**Pressure Range:** Up to 200 PSIG (1379 kPa)

**Wattage:** 250-2000 (varies per product line)

**Certifications:** CE, ETL (tested to UL 823, UL 499 and CSA C22.2).

### SAFETY FEATURES:

- Grounded metal construction
- Positive temperature coefficient (PTC) heating elements
- Multiple element thermocouples or RTDs
- Insulated housing
- Hermetically sealed high limit thermal cutoff device (TCO)
- Dual containment plumbing available as an option



Wattage*	L - Length	
	Inch	mm
250	7.38	187
500	10.13	257
750	13.12	333
1000	16.12	409
1250	19.12	486