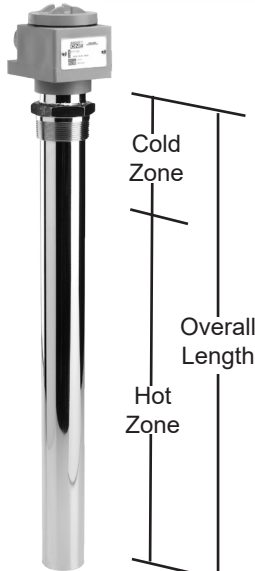




SMART ONE



S1T SERIES, 2" TUBULAR SCREW PLUG HEATERS							
WATTS	VOLTS	PIPE THREAD	OVERALL LENGTH	304 STAINLESS	316 STAINLESS	TITANIUM	SHIP
				MODEL NUMBER	MODEL NUMBER	MODEL NUMBER	WEIGHT
			In./(mm)				Lbs./(kg)
1000	100-120	2" NPT	10 (254)	S1FT1110	S1ST1110	S1TT1110	11 (5)
2000	100-120	2" NPT	14 (356)	S1FT2114	S1ST2114	S1TT2114	14 (6.4)
	200-240			S1FT2214	S1ST2214	S1TT2214	
3000	200-240	2" NPT	20 (508)	S1FT3220	S1ST3220	S1TT3220	16 (7.3)
4000	200-240	2" NPT	26 (660)	S1FT4226	S1ST4226	S1TT4226	20 (9.1)
5000	200-240	2" NPT	31 (787)	S1FT5231	S1ST5231	S1TT5231	26 (11.8)
6000	200-240	2" NPT	37 (940)	S1FT6237	S1ST6237	S1TT6237	29 (13.2)
1600	380-480	2" NPT	14 (356)	S1FT1.6414	S1ST1.6414	S1TT1.6414	14 (6.4)
2400	380-480	2" NPT	20 (508)	S1FT2.4420	S1ST2.4420	S1TT2.4420	16 (7.3)
3200	380-480	2" NPT	26 (660)	S1FT3.2426	S1ST3.2426	S1TT3.2426	20 (9.1)
4000	380-480	2" NPT	31 (787)	S1FT4431	S1ST4431	S1TT4431	26 (11.8)
4800	380-480	2" NPT	37 (940)	S1FT4.8437	S1ST4.8437	S1TT4.8437	29 (13.2)
5600	380-480	2" NPT	43 (1092)	S1FT5.6443	S1ST5.6443	S1TT5.6443	32 (14.5)

Single phase standard, add -3 for three phase.

S1T Series, Metal Over the Side Heater Features and Benefits:

LONG LIFE ELEMENT:

- ◆ Patented PTC heater element lasts longer than conventional heaters.
- ◆ Will not burn out due to scale or sludge buildup or if run in air.

SAFE DESIGN:

- ◆ Heater self limits its maximum operating temperature to 518°F (270°C). This is lower than the ignition point of most plastics.
- ◆ Will not melt tanks when a 1/2" (12mm) minimum distance is maintained.
- ◆ Overtemperature protection devices are not required.
- ◆ Safety is built-in, not added on.
- ◆ Metal-grounded (earth ground), non-floating construction.

OUTSTANDING PERFORMANCE:

- ◆ Watt densities up to 26 watts per square inch (4 w/cm²) ensure long service life.
- ◆ Auto-stabilizing solid state element prevents hot spots and ensures uniform heating.
- ◆ Heater derates itself in highly viscous and high temperature solutions. Consult factory for sizing assistance.

CORROSION RESISTANT HEAD:

- ◆ Vapor resistant, flame retardant polypropylene terminal enclosure with 3 ft (.9m) flexible PVC liquid tight conduit.

CHEMICALLY RESISTANT:

For use in most aqueous alkaline, electroplating and rinse solutions. Check solution recommendation chart with your chemical supplier for proper sheath material selection.

- ◆ 304 stainless steel.
- ◆ 316 stainless steel.
- ◆ Titanium.

CERTIFICATIONS: cULus listed and CE compliant.

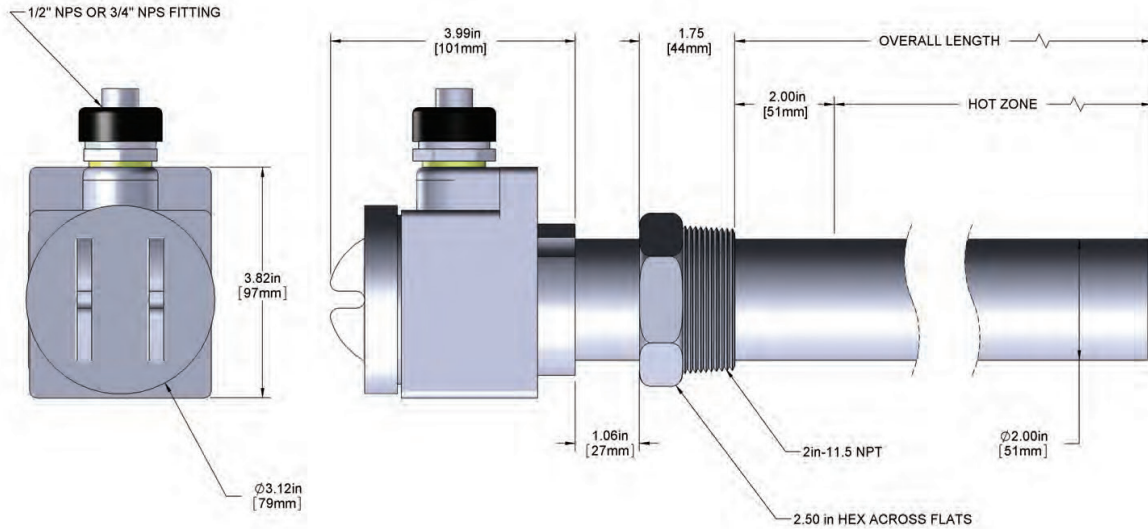
SIZES: 1,000 watts to 6,000 watts.

VOLTAGES: 120 volt, 200-240 volt, and 380-480 volt. Single or three phase power.

OPTIONS AVAILABLE (consult factory):

- ◆ Special configurations and lengths.
- ◆ Longer wire and conduit lengths.
- ◆ All metal welded junction box.
- ◆ Temperature and level controls sized to match the heater (sold separately).

DIMENSIONS



SINGLE TUBE S1T, SCREWPLUG HEATER ORDERING INFORMATION

Series	Wattage	Voltage	Overall Length	Phase Options	Wire and Conduit Length
S1FT = 304 stainless steel S1ST = 316 stainless steel S1TT = titanium	120-240V: 1 = 1000 2 = 2000 3 = 3000 4 = 4000 6 = 6000 380-480V: 1.6 = 1600 2.4 = 2400 3.2 = 3200 4 = 4000 4.8 = 4800 5.6 = 5600	1 = 120 2 = 200-240 4 = 380-480	120-240V: 10 = 1kW 14 = 2kW 20 = 3kW 26 = 4kW 31 = 5kW 37 = 6kW 380-480V: 14 = 1.6kW 20 = 2.4kW 26 = 3.2kW 31 = 4kW 37 = 4.8kW 43 = 5.6kW (custom lengths available)	no designator = single phase -3 = three phase	no designator = 36" (1m) length standard specify variations from standard Ex: -X240 = 240" (6m)

ORDERING EXAMPLE:

S1ST1110

316 stainless steel screwplug, 1,000 watts, 120 volt, 10" overall length, single phase.

