



HXT SERIES, FLUOROPOLYMER (PTFE) SCREW PLUG HEATERS					
WATTS	VOLTS	OVERALL LENGTH In./(mm)	PIPE THREAD	MODEL NUMBER	SHIP WGT. Lbs./(kg)
1000	120	9	2-1/2	HXT1109	9
	240	(229)		HXT1209	(4.1)
2000	120	14	2-1/2	HXT2114	12
	240	(356)		HXT2214	(5.4)
	480			HXT2414	
3000	240	19	2-1/2	HXT3219	15
	480	(483)		HXT3419	(6.8)
4000	240	26	2-1/2	HXT4226	17
	480	(660)		HXT4426	(7.7)
5000	240	30	2-1/2	HXT5230	20
	480	(762)		HXT5430	(9.1)
6000	240	34	2-1/2	HXT6234	23
	480	(864)		HXT6434	(10.4)

SINGLE PHASE ONLY.

HXT Series, Spiral Heater Features and Benefits

SUPERIOR CHEMICAL RESISTANCE:

- ◆ Inert to most aqueous acid, alkaline, anodizing and plating solutions.

RUGGED CONSTRUCTION:

- ◆ Heavy wall fluoropolymer (PTFE) covered stainless steel sheath and PVDF screw plug reduces permeation and reduces the need for gas purge systems. Guaranteed 100% pinhole free.

OUTSTANDING PERFORMANCE:

- ◆ Low watt densities of 10 watts/square inch (1.5w/cm²) uses minimal space and ensure long service life.

CORROSION RESISTANT HEAD:

- ◆ Vapor resistant, flame retardant polypropylene terminal enclosure with 3 ft (.9m) flexible PVC liquid tight conduit.

SAFETY FEATURES:

- ◆ Grounded internal metal element.

CERTIFICATIONS: CE (except 600 volts).

SIZES: 1,000 watts to 6,000 watts.

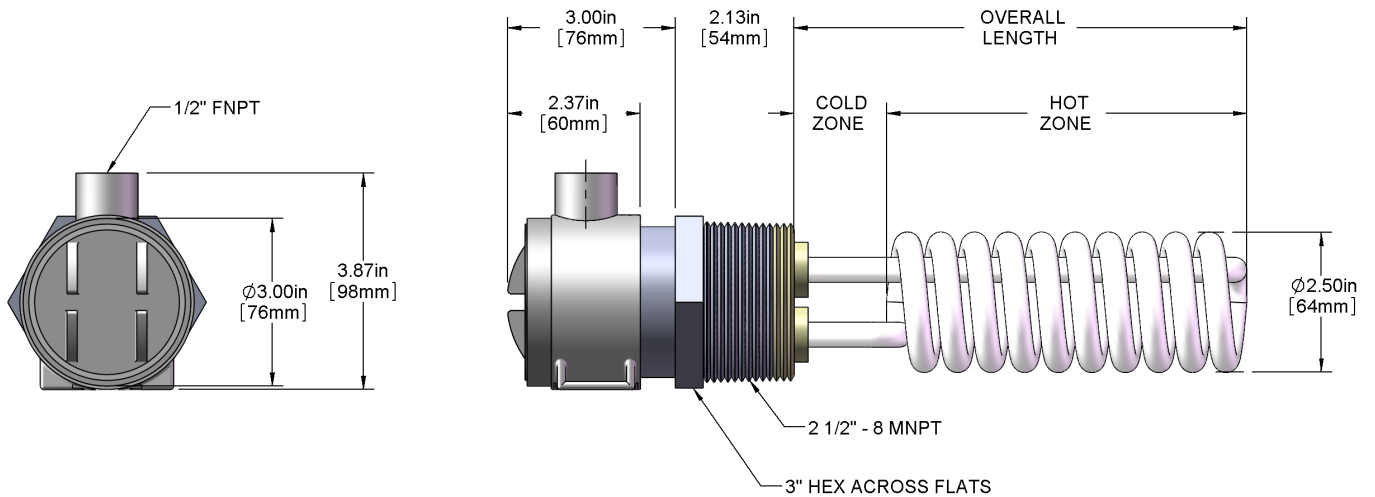
VOLTAGES: 120 to 600 volts. (600 volts on 4500 watts or lower only)

OPTIONS AVAILABLE (consult factory):

- ◆ Special configuration and lengths.
- ◆ Thermowells.
- ◆ Integral thermostats.
- ◆ Lower watt densities for highly viscous solutions,
- ◆ Temperature and level controls sized to match the heater.

NOTE: Intended for horizontal installation only.

DIMENSIONS



FLUOROPOLYMER SCREW PLUG HEATER ORDERING INFORMATION

Series	Wattage	Voltage	Length (in.)	Options	Wire and Conduit Length
	1 = 1000 2 = 2000 3 = 3000 4 = 4000 5 = 5000 6 = 6000	1 = 120 2 = 240 3 = 380 4 = 480 5 = 415 6 = 600 7 = 400 8 = 208 9 = 220 0 = 200	9 = 1kW 14 = 2kW 19 = 3kW 26 = 4kW 30 = 5kW 34 = 6kW specify (custom lengths available)	Single phase power only -P3 = J type thermocouple no designator = 36" length standard specify variations from standard Ex: -X84 = 84"	
	HXT = PTFE sheathed HST = 304 stainless steel				

ORDERING EXAMPLE:

HXT3419

Fluoropolymer, 3,000 watts, 480 volt, 19" overall length.

