

6HS SERIES, SIX ELEMENT STAINLESS STEEL HEATERS

WATTS	VOLTS	HOT ZONE In./(mm)	OVERALL LENGTH In./(mm)	MODEL NUMBER	SHIP WGT. Lbs./(kg)
6000	240	10	17	6HS6217-**	12
	480	(254)	(432)	6HS6417-**	(5.4)
9000	240	16	23	6HS9223-**	13
	480	(406)	(584)	6HS9423-**	(5.9)
15000	240	20	29	6HS15229-**	16
	480	(508)	(737)	6HS15429-**	(7.3)
21000	240	25	34	6HS21234-**	18
	480	(635)	(864)	6HS21434-**	(8.2)



6HS Series Heater Features and Benefits

SUPERIOR CHEMICAL RESISTANCE:

- ◆ For use in most aqueous alkaline solutions and rinse tanks. Check solution recommendation chart with your chemical supplier for proper sheath material selection.

RUGGED CONSTRUCTION:

- ◆ Heavy wall metal sheaths in 316 stainless steel.

OUTSTANDING PERFORMANCE:

- ◆ Watt densities up to 46 watts per square inch (7.1 w/cm²) use minimal space and ensure long service life.

CORROSION RESISTANT HEAD:

- ◆ Vapor resistant, flame retardant polypropylene terminal enclosure with 3 ft (.9m) flexible PVC liquid tight conduit.

SAFETY FEATURES:

- ◆ Grounded construction.
- ◆ Two thermal protectors built in. Replaceable PI protectors standard for solutions up to 180°F (82°C).
- ◆ Non-floating construction.

CERTIFICATIONS: cULus listed and CE compliant (except 600 volts).

SIZES: 6,000 watts to 21,000 watts.

VOLTAGES:

- ◆ 200 to 600 volts.

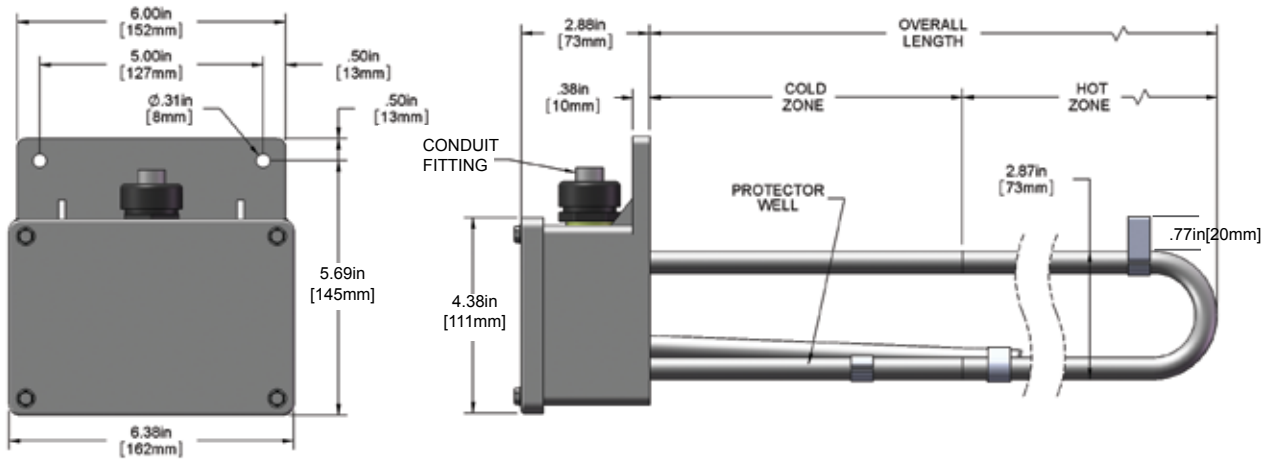
OPTIONS AVAILABLE (consult factory):

- ◆ Replaceable thermal protectors:
P4: for solutions up to 230°F(110°C)
P5: for solutions up to 300°F(149°C)

Resettable thermal protectors:

- P2: for solutions up to 180°F(82°C)
- P6: for solutions up to 230°F(110°C)
- P7: for solutions up to 300°F(149°C)
- ◆ Special configurations and lengths.
- ◆ Longer wire and conduit lengths.
- ◆ Consult factory for other element materials.
- ◆ Lower watt densities for highly viscous solutions.
- ◆ Temperature and level controls sized to match the heater (sold separately).
- ◆ All metal welded junction box.

DIMENSIONS



6 ELEMENT 316 STAINLESS OVER THE SIDE HEATER ORDERING INFORMATION

Series	Wattage	Voltage	Overall Length	Options	Type of Protector	Wire and Conduit Length
	6 = 6000 9 = 9000 15 = 15000 21 = 21000	2 = 240 3 = 380 4 = 480 5 = 415 6 = 600 7 = 400 8 = 208 9 = 220 0 = 200	17 = 6kW 23 = 9kW 29 = 15kW 34 = 21kW			36" conduit length standard (no designator) specify variations from standard Ex: -X84 = 84"
Replaceable Protectors						
P1 (std)						for solutions up to 180°F
P4						for solutions up to 230°F
P5						for solutions up to 300°F
Resettable Protectors						
(additional control components required)						
P2						for solutions up to 180°F
P6						for solutions up to 230°F
P7						for solutions up to 300°F
6HS = 6 element, 316 stainless steel						
no designator = three phase power (standard) -1 = single phase power M = Metal welded junction box (resettable protector required)						

ORDERING EXAMPLE:

6HS6217-1-P1

6 element, 316 stainless steel, 6,000 watts, 240 volts, 17" long, 1 phase, protector 1.

