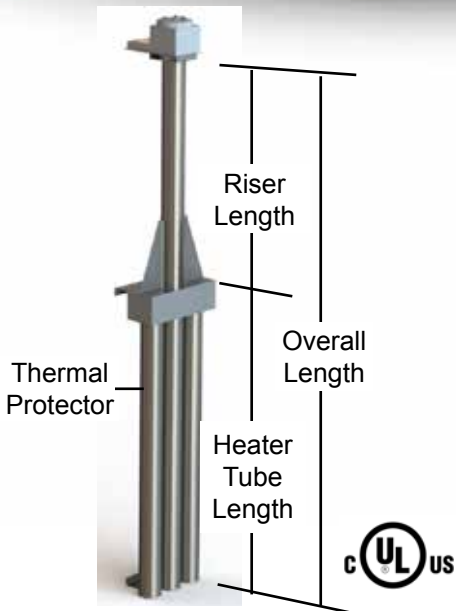




## HEATERS



3V SERIES, TRIPLE METAL DEEP TANK HEATERS						
WATTS	VOLTS	THREE TUBE				
		LENGTH In./.(mm)	STEEL In./.(mm)	304 SS	316 SS	TITANIUM
18000	240	36	3VP18236-R*-**	3VF18236-R*-**	3VS18236-R*-**	3VT18236-R*-**
	480	(914)	3VP18436-R*-**	3VF18436-R*-**	3VS18436-R*-**	3VT18436-R*-**
24000	240	44	3VP24244-R*-**	3VF24244-R*-**	3VS24244-R*-**	3VT24244-R*-**
	480	(1118)	3VP24444-R*-**	3VF24444-R*-**	3VS24444-R*-**	3VT24444-R*-**
27000	480	50	3VP27450-R*-**	3VF27450-R*-**	3VS27450-R*-**	3VT27450-R*-**
		(1270)				
30000	480	55	3VP30455-R*-**	3VF30455-R*-**	3VS30455-R*-**	3VT30455-R*-**
		(1397)				
36000	480	64	3VP36464-R*-**	3VF36464-R*-**	3VS36464-R*-**	3VT36464-R*-**
		(1626)				
45000	480	77	3VP45477-R*-**	3VF45477-R*-**	3VS45477-R*-**	3VT45477-R*-**
		(1956)				
48000	480	82	3VP48482-R*-**	3VF48482-R*-**	3VS48482-R*-**	3VT48482-R*-**
		(2083)				
54000	480	91	3VP54491-R*-**	3VF54491-R*-**	3VS54491-R*-**	3VT54491-R*-**
		(2311)				

\*Specify riser height required. Example: 3VS18236-R59-P2

## 3V Features and Benefits

### SUPERIOR CHEMICAL RESISTANCE:

- ◆ Materials available for use in most aqueous alkaline solutions, plating solutions, and rinse tanks. Check solution recommendation chart or with your chemical supplier for proper sheath material selection.

### RUGGED CONSTRUCTION:

- ◆ Heavy wall metal sheaths available in:
  - Plain Steel
  - 304 stainless steel
  - 316 stainless steel
  - Titanium

### LONG-LASTING PERFORMANCE:

- ◆ Watt densities of 35 watts per square inch (5.4cm<sup>2</sup>) ensure long service life.

### CORROSION RESISTANT HEAD:

- ◆ Vapor resistant, flame retardant polypropylene terminal enclosure with 3-foot (.9mm) flexible PVC liquid tight conduit.

### SAFETY FEATURES:

- ◆ Grounded construction.
- ◆ Thermal protection built in. Resettable P2 protector standard for solutions up to 180°F (82°C).

- ◆ Non-floating construction..

**CERTIFICATIONS:** cULus listed and CE compliant (except 600 volts).

### SIZES:

- ◆ 18,000 watts to 54,000 watts.

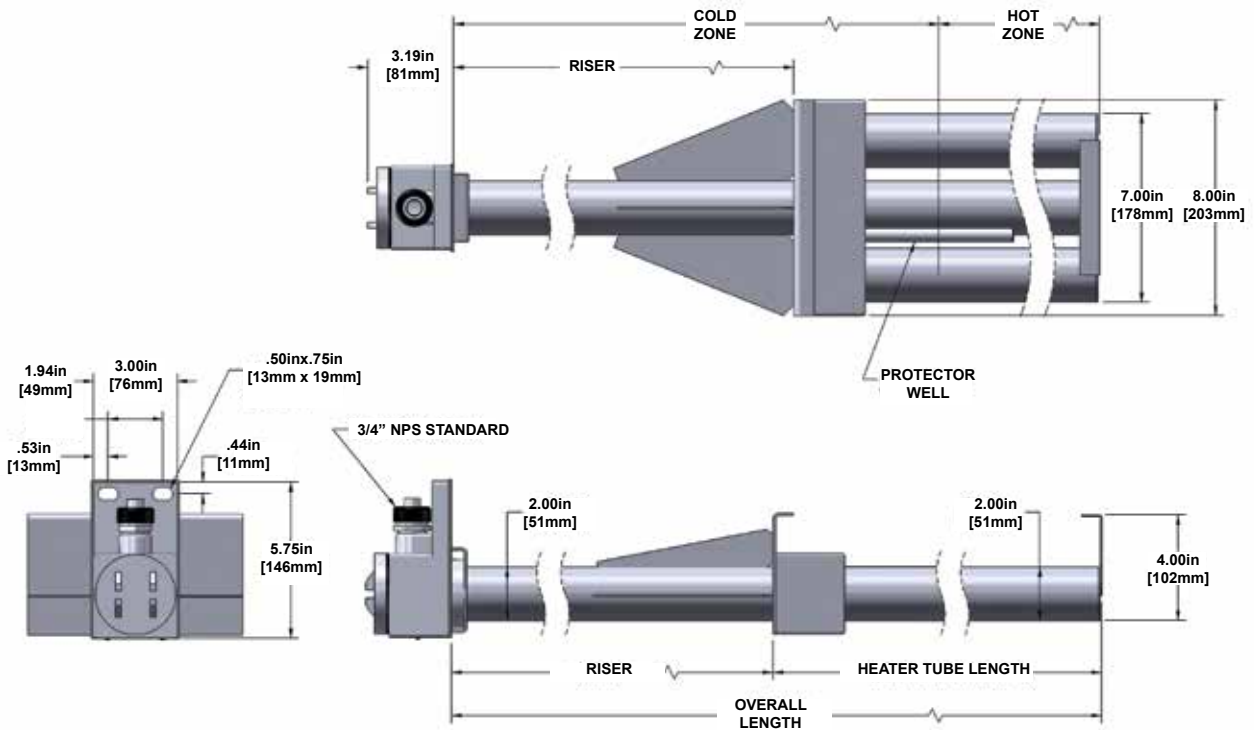
### VOLTAGES:

- ◆ 240 to 600 volts. Three phase standard, single phase available. Some amperage limitations apply, consult factory.

### OPTIONS AVAILABLE (consult factory):

- ◆ Resettable thermal protectors:
  - P6: for solutions from up to 230°F(110°C)
- ◆ Longer vertical lengths (cold zones).
- ◆ Special configurations.
- ◆ Longer wire and conduit lengths.
- ◆ Lower watt densities for highly viscous solutions.
- ◆ Temperature and level controls sized to match the heater.
- ◆ All metal welded junction box.

## DIMENSIONS



## TRIPLE TUBE DEEP TANK METAL OVER THE SIDE HEATER ORDERING INFORMATION

Series	Wattage	Voltage	Heater Tube Length (in.)	Riser Length	Options	Type of Protector	Wire and Conduit Length
	18 = 18000 24 = 24000 27 = 27000 30 = 30000 36 = 36000 45 = 45000 48 = 48000 54 = 54000	2 = 240 3 = 380 4 = 480 5 = 415 6 = 600 7 = 400 8 = 208 9 = 220 0 = 200	36 = 18kW 44 = 24kW 50 = 27kW 55 = 30kW 64 = 36kW 77 = 45kW 82 = 48kW 91 = 54kW	Specify custom lengths, (so that overall length does not exceed tank depth). Ex: R48=48"			36" conduit length standard (no designator) Specify variations from standard Ex: -X84 = 84"
	3VP = Plain Steel 3VF = 304 Stainless Steel 3VS = 316 Stainless Steel 3VT = Titanium					<b>Resettable Fuse</b> (additional control components required)	
						-P2	For solutions up to 180°F
						-P6	For 180° - 230°F solutions
	No designator = 3 phase power (standard) -1 = single phase power						

### ORDERING EXAMPLE:

3VS18436-R59-P2

Triple tube, deep tank, 316 stainless, 18kW, 480 volt, 3 phase, 36" heater tube length, 59" riser, P2 protector.

