

3L SERIES, TRIPLE METAL L-SHAPED HEATERS									
WATTS	VOLTS	STD.		STEEL	304 SS	316 SS	TITANIUM	SHIP	WG.T.
		HORIZ.	VERT.*						
		In./(mm)	In./(mm)						Lbs./(kg)
3000	240	13	15	3LP3213-R***	3LF3213-R***	3LS3213-R***	3LT3213-R***		30
	480	(330)	(381)	3LP3413-R***	3LF3413-R***	3LS3413-R***	3LT3413-R***		(13.6)
6000	240	17	37	3LP6217-R***	3LF6217-R***	3LS6217-R***	3LT6217-R***		33
	480	(432)	(940)	3LP6417-R***	3LF6417-R***	3LS6417-R***	3LT6417-R***		(15)
9000	240	22	37	3LP9222-R***	3LF9222-R***	3LS9222-R***	3LT9222-R***		36
	480	(559)	(940)	3LP9422-R***	3LF9422-R***	3LS9422-R***	3LT9422-R***		(16.3)
12000	240	26	37	3LP12226-R***	3LF12226-R***	3LS12226-R***	3LT12226-R***		39
	480	(660)	(940)	3LP12426-R***	3LF12426-R***	3LS12426-R***	3LT12426-R***		(17.7)
15000	240	31	37	3LP15231-R***	3LF15231-R***	3LS15231-R***	3LT15231-R***		42
	480	(787)	(940)	3LP15431-R***	3LF15431-R***	3LS15431-R***	3LT15431-R***		(19.1)
18000	240	36	50	3LP18236-R***	3LF18236-R***	3LS18236-R***	3LT18236-R***		45
	480	(914)	(1270)	3LP18436-R***	3LF18436-R***	3LS18436-R***	3LT18436-R***		(20.4)
24000	240	44	50	3LP24244-R***	3LF24244-R***	3LS24244-R***	3LT24244-R***		54
	480	(1118)	(1270)	3LP24444-R***	3LF24444-R***	3LS24444-R***	3LT24444-R***		(24.5)
27000	480	50	50	3LP27450-R***	3LF27450-R***	3LS27450-R***	3LT27450-R***		60
			(1270)	(1270)					(27.2)
30000	480	55	50	3LP30455-R***	3LF30455-R***	3LS30455-R***	3LT30455-R***		66
			(1397)	(1270)					(29.9)
36000	480	64	50	3LP36464-R***	3LF36464-R***	3LS36464-R***	3LT36464-R***		75
			(1626)	(1270)					(34)

* Specify vertical length by adding height in inches after "-R". Example: 3LS6217-R39-P1.

3L Series Heater Features and Benefits

SUPERIOR CHEMICAL RESISTANCE:

- ◆ For use in most aqueous alkaline solutions, and plating and phosphate tanks. Check solution recommendation chart with your chemical supplier for proper sheath material selection.

RUGGED CONSTRUCTION:

- ◆ Heavy wall metal sheaths available in:
Steel
304 stainless steel
316 stainless steel
Titanium

OUTSTANDING PERFORMANCE:

- ◆ Watt densities up to 35 watts per square inch (5.4 w/cm²) ensure long service life.

CORROSION RESISTANT HEAD:

- ◆ Vapor resistant, flame retardant polypropylene terminal enclosure with 3 ft (.9m) flexible PVC liquid tight conduit.

SAFETY FEATURES:

- ◆ Grounded construction.
- ◆ Thermal protectors built in. Replaceable PI protector standard for solutions up to 180°F (82°C).
- ◆ Non-floating construction.

CERTIFICATIONS: cULus listed (except steel) and CE compliant (except 600 volts).

SIZES: 3,000 watts to 36,000 watts.

VOLTAGES:

- ◆ 200 to 600 volts.

OPTIONS AVAILABLE (consult factory):

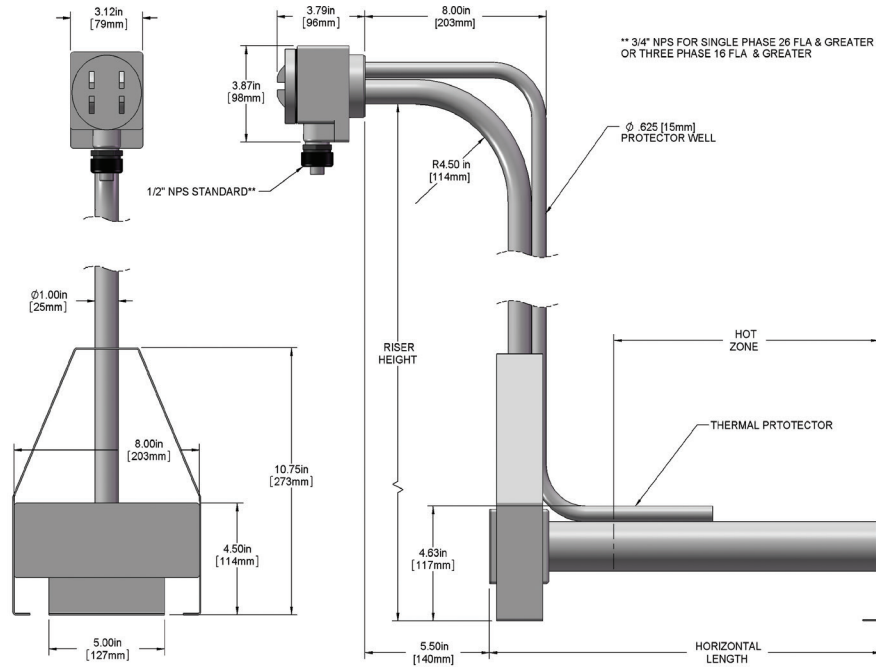
- ◆ Replaceable thermal protectors:
P4: for solutions up to 230°F(110°C)
P5: for solutions up to 300°F(149°C)

Resettable thermal protectors:

- P2: for solutions up to 180°F(82°C)
- P6: for solutions up to 230F(110°C)
- P7: for solutions up to 300°F(149°C)

- ◆ Special configurations and lengths.
- ◆ Longer wire and conduit lengths.
- ◆ Lower watt densities for highly viscous solutions.
- ◆ Temperature and level controls sized to match the heater (sold separately).
- ◆ All metal welded junction box.

DIMENSIONS



TRIPLE TUBE METAL OVER THE SIDE HEATER ORDERING INFORMATION

Series	Wattage	Voltage	Horizontal Length (in.)	Vertical Length (in.)	Riser Option	Options	Type of Protector	Wire and Conduit Length																		
	3 = 3000 6 = 6000 9 = 9000 12 = 12000 15 = 15000 18 = 18000 24 = 24000 27 = 27000 30 = 30000 36 = 36000	2 = 240 3 = 380 4 = 480 5 = 415 6 = 600 7 = 400 8 = 208 9 = 220 0 = 200	13 = 3kW 17 = 6kW 22 = 9kW 26 = 12kW 31 = 15kW 36 = 18kW 44 = 24kW 50 = 27kW 55 = 30kW 64 = 36kW	-R19 = 3kW -R37 = 6kW -R37 = 9kW -R37 = 12kW -R37 = 15kW -R50 = 18kW -R50 = 24kW -R50 = 27kW -R50 = 30kW -R50 = 36kW (custom lengths available) Ex: -R21 = 21" -FR = flex riser Ex: -FR21 = 21"				no designator = 36" length standard specify variations from standard Ex: -X84 = 84"																		
	3LP = steel 3LF = 304 stainless steel 3LS = 316 stainless steel 3LT = titanium						<table border="1" style="width: 100%; border-collapse: collapse;"> <thead> <tr> <th colspan="2" style="text-align: center;">Replaceable Protector</th> </tr> </thead> <tbody> <tr> <td style="width: 20%;">P1 (std)</td> <td>for solutions up to 180°F</td> </tr> <tr> <td>P4</td> <td>for solutions up to 230°F</td> </tr> <tr> <td>P5</td> <td>for solutions up to 300°F</td> </tr> <tr> <th colspan="2" style="text-align: center;">Resettable Protector</th> </tr> <tr> <td colspan="2" style="text-align: center;">(additional control components required)</td> </tr> <tr> <td>P2</td> <td>for solutions up to 180°F</td> </tr> <tr> <td>P6</td> <td>for solutions up to 230°F</td> </tr> <tr> <td>P7</td> <td>for solutions up to 300°F</td> </tr> </tbody> </table>	Replaceable Protector		P1 (std)	for solutions up to 180°F	P4	for solutions up to 230°F	P5	for solutions up to 300°F	Resettable Protector		(additional control components required)		P2	for solutions up to 180°F	P6	for solutions up to 230°F	P7	for solutions up to 300°F	
Replaceable Protector																										
P1 (std)	for solutions up to 180°F																									
P4	for solutions up to 230°F																									
P5	for solutions up to 300°F																									
Resettable Protector																										
(additional control components required)																										
P2	for solutions up to 180°F																									
P6	for solutions up to 230°F																									
P7	for solutions up to 300°F																									
			no designator = 90° horizontal bend (standard) -S = straight riser				no designator = three phase power (standard) -1 = single phase power																			

ORDERING EXAMPLE:

3LS12426-R50-P4-X72

Triple tube, L-shaped, 316 SS, 12,000 watts, 480 volt, 26" length, 50" vertical riser, P4 protector.

